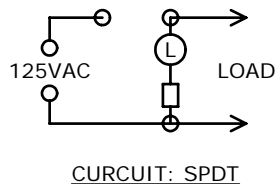
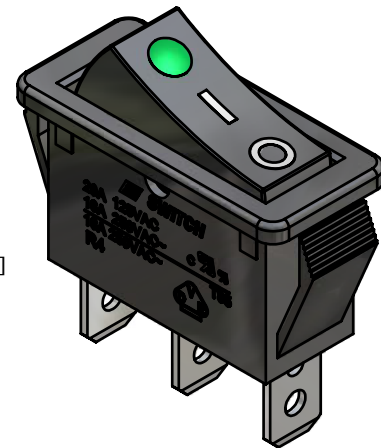
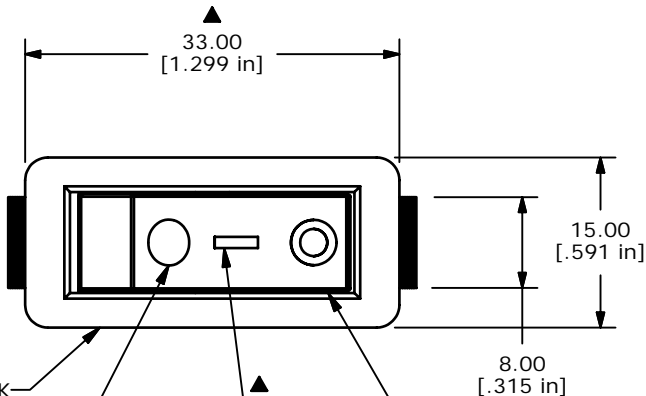


RECOMMENDED PANEL MOUNTING

PANEL THICKNESS	X ± 0.05
0.75-1.25	29.65
1.25-2.00	30.15
2.00-3.00	30.50



SWITCH FUNCTION		
POS. 1	POS. 2	POS. 3
ON	N/A	OFF
1-1a	NONE	OPEN

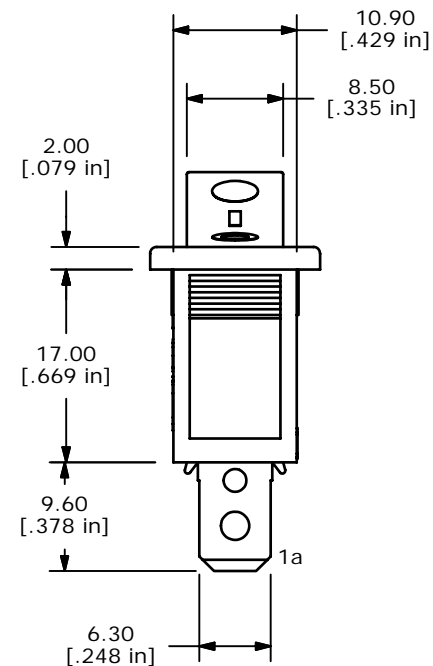
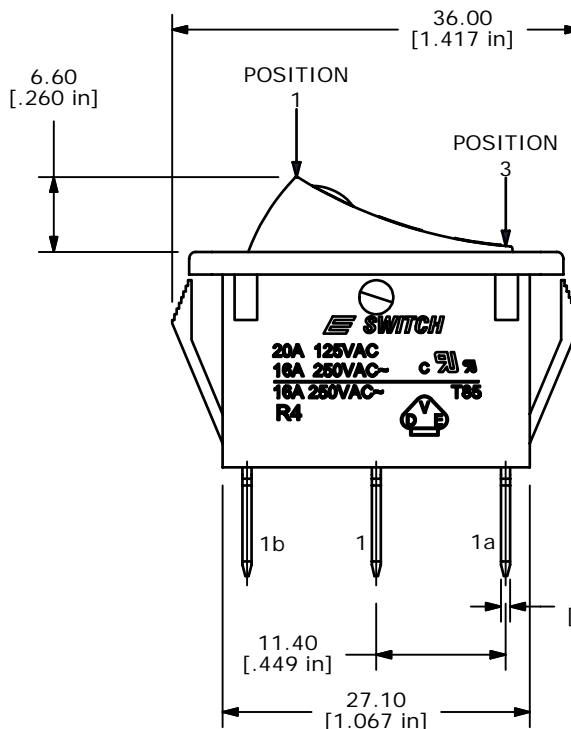


HOUSING COLOR: BLACK

GRAPHICS WHITE

LENS COLOR: GREEN

ROCKER COLOR: BLACK



NOTES:

- ALL DIMENSIONS IN MM [INCH]
- GENERAL TOLERANCE: X.X ± 0.4  
X.XX ± 0.25
- TERM. NOS. FOR REF. ONLY
- RATING: 20A 125VAC, 16A 250VAC UL APPROVED  
16A 250VAC VDE APPROVED
- MECHANICAL LIFE: > 30,000 CYCLES
- ELECTRICAL LIFE: < 20mOHMS (INITIAL)
- DIELECTRIC STRENGTH: > 1500V 1 min
- OPERATING TEMPERATURE: TERMINAL SIDE: -20°C to 85°C  
ROCKER SIDE: -20°C to 55°C
- ▲ 9. LAMP VOLTAGE: 12VDC INCANDESCENT
- FLAMABILITY: UL94 V-2
- ▲ DENOTES CRITICAL PARAMETER.
- 2002/95/EC (ROHS) COMPLIANT

REV	PCR NO	DESCRIPTION	DATE	BY
D	16185	UPDATE ROCKER	6/23/06	CT
C	16121	UPDATE TO NEW STANDARDS	6/8/2006	CT
B	15860	REVISE AND REDRAWN	3/13/06	PH



TITLE R4BBLKBLKGRNFF3

SCALE	DATE	DR	DWG	REV
1.5:1	3/10/2006	--	M040137	D

THE INFORMATION CONTAINED IN THIS DOCUMENT IS PROPRIETARY TO E-SWITCH AND IS NOT TO BE COPIED OR TRANSFERRED