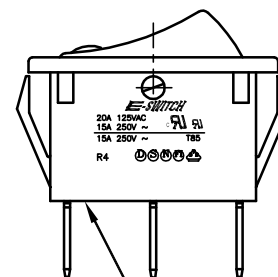
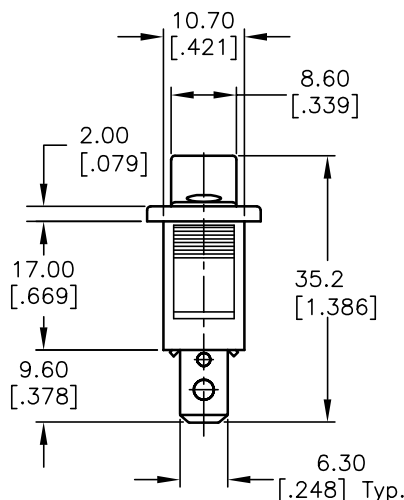
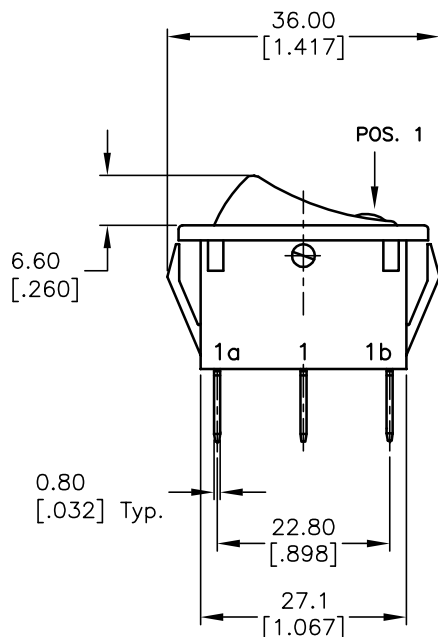
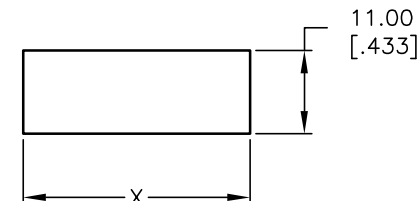
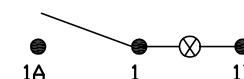


RED ACTUATOR ▲ ▲ RED LENS

PANEL THICKNESS	X
0.75~1.25	30.0
1.25~2.00	30.2
2.00~3.00	30.6



▲ COLOR: BLK HOUSING



CIRCUIT: SPST
CONTACT CONFIGURATION

SWITCH FUNCTION	
POS. 1	POS. 2
ON-ILLUMINATED	OFF
1-1a	OPEN

NOTES:

1. ALL DIMENSIONS IN MM [INCH]
2. GENERAL TOLERANCE: X.X=±0.4
X.XX=±0.25
3. TERM. NOS. FOR REF. ONLY
4. RATING: 15A 250V, 20A 125V AC
5. MATERIAL: Body & Rocker: Nylon 6/6 UL94 V-2
6. LAMP VOLTAGE: 24VDC (Incandescent bulb)
7. ▲ DENOTES CRITICAL PARAMETER

REV.	ECN No.	DESCRIPTION	DATE	CHKD
B	13846	CORRECT ACTUATOR/LENS NOTES	3/18/04	AR
A	13788	RELEASED FOR PRODUCTION	2/19/04	AR

THE INFORMATION CONTAINED IN THIS DOCUMENT IS PROPRIETARY TO E-SWITCH AND IS NOT TO BE COPIED OR TRANSFERRED

E-SWITCH®				
TITLE R4BBLKREDREDEF4				
SCALE 1:1	DATE 2/19/04	DR AR	DWG M401127	REV B