

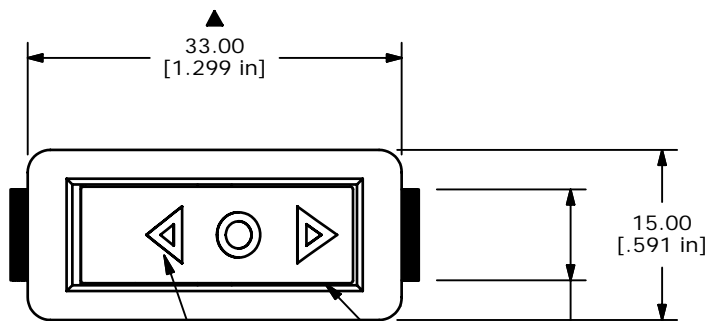
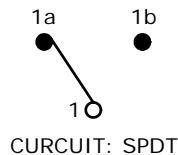
RECOMMENDED PANEL MOUNTING

PANEL THICKNESS X± 0.05	
0.75-1.25	29.65
1.25-2.00	30.15
2.00-3.00	30.50

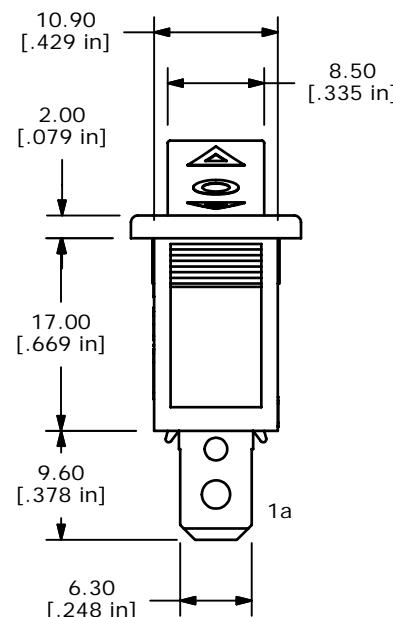
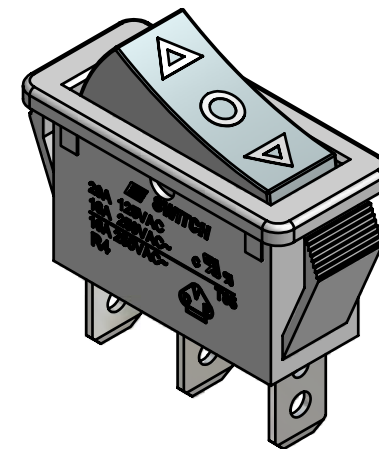
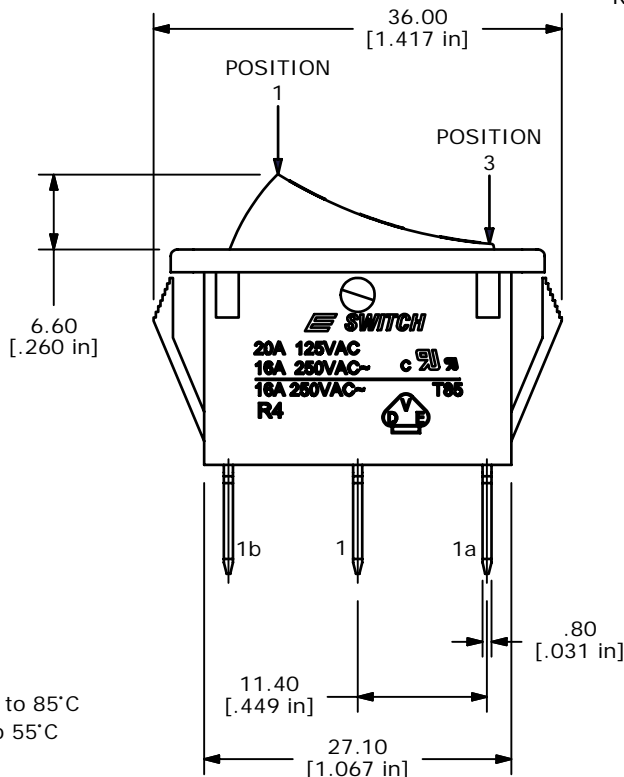
SWITCH FUNCTION		
POS. 1	POS. 2	POS. 3
ON	N/A	ON
1-1a	NONE	1-1b

NOTES:

1. ALL DIMENSIONS IN MM [INCH]
2. GENERAL TOLERANCE: X.X±0.4  
X.XX±0.25
3. TERM. NOS. FOR REF. ONLY
4. RATING: 20A 125VAC, 16A 250VAC UL APPROVED  
16A 250VAC VDE APPROVED
5. MECHANICAL LIFE: > 30,000 CYCLES
6. ELECTRICAL LIFE: < 20mOHMS (INITIAL)
7. DIELECTRIC STRENGTH: > 1500V 1 min
8. OPERATING TEMPERATURE: TERMINAL SIDE: -20°C to 85°C  
ROCKER SIDE: -20°C to 55°C
9. FLAMABILITY: UL94 V-2
10. ▲ DENOTES CRITICAL PARAMETER.
11. 2002/95/EC (ROHS) COMPLIANT



HOUSING COLOR: BLACK      GRAPHICS: WHITE      ROCKER COLOR: BLACK



REV	PCR NO	DESCRIPTION	DATE	BY
D	16072	UPDATE TO NEW STANDARDS	5/31/06	CT
C	15857	REVISE AND REDAWN	3/10/06	PH

TITLE R4CBLKBLKHFO				
SCALE 1.5:1	DATE 3/10/2006	DR --	DWG M040135	REV D

THE INFORMATION CONTAINED IN THIS DOCUMENT IS PROPRIETARY TO E-SWITCH AND IS NOT TO BE COPIED OR TRANSFERRED