

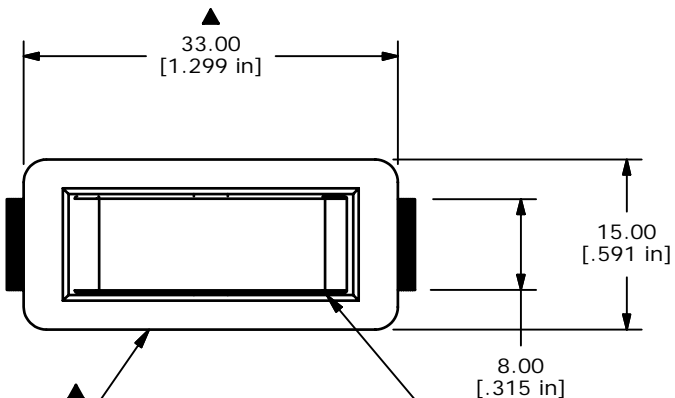
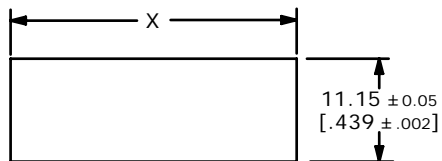
RECOMMENDED PANEL MOUNTING

PANEL THICKNESS	X± 0.05
0.75-1.25	29.65
1.25-2.00	30.15
2.00-3.00	30.50

SWITCH FUNCTION		
POS. 1	POS. 2	POS. 3
ON	OFF	ON
1-1a	OFF	1-1b

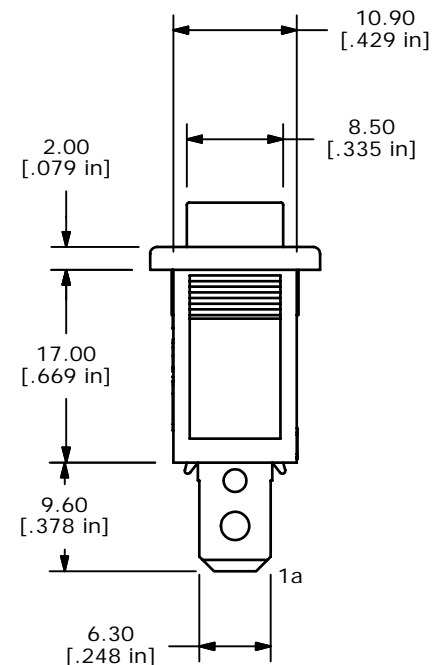
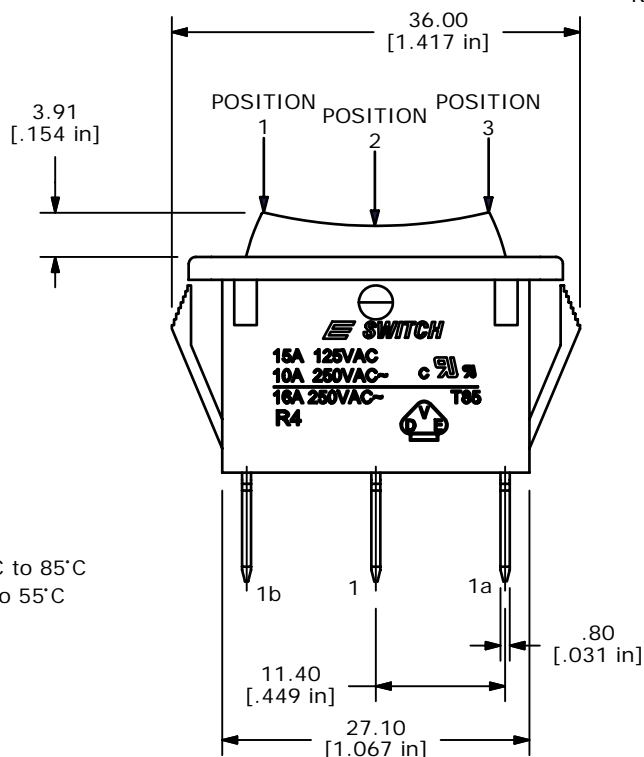
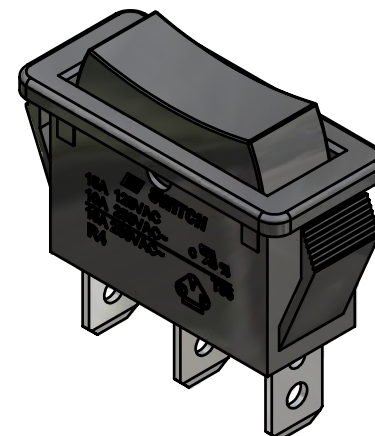
NOTES:

- ALL DIMENSIONS IN MM [INCH]
- GENERAL TOLERANCE: X.X=±0.4
X.XX=±0.25
- TERM. NOS. FOR REF. ONLY
- RATING: 10A 250VAC, 15A 125VAC UL PPROVED
10A 250VAC VDE APPROVED
- MECHANICAL LIFE: >30,000 CYCLES
- ELECTRICAL LIFE: < 20mOHMS (INITIAL)
- DIELECTRIC STRENGTH: > 1500V 1 min
- OPERATING TEMPERATURE: TERMINAL SIDE -20°C to 85°C
ROCKER SIDE -20°C to 55°C
- FLAMABILITY: UL94 V-2
- ▲DENOTES CRITICAL PARAMETER
- 2002/95/EC (ROHS) COMPLIANT



HOUSING COLOR: BLACK

ROCKER COLOR: BLACK



E	15995	UPDATE NOTES AND DIMS	5/2/06	CT
D	15935	EDIT NOT 4	4/4/2006	BS
C	15814	CHANGES NOTED	2/23/06	PH
B	15803	REVISE AND REDRAWN	2/21/06	PH
REV	PCR NO	DESCRIPTION	DATE	BY

THE INFORMATION CONTAINED IN THIS DOCUMENT IS PROPRIETARY TO E-SWITCH AND IS NOT TO BE COPIED OR TRANSFERRED

E-SWITCH®

TITLE R4DBLKBLKEF0

SCALE 1:1

DATE 3/29/1999

DR MM

DWG M040107

REV E