

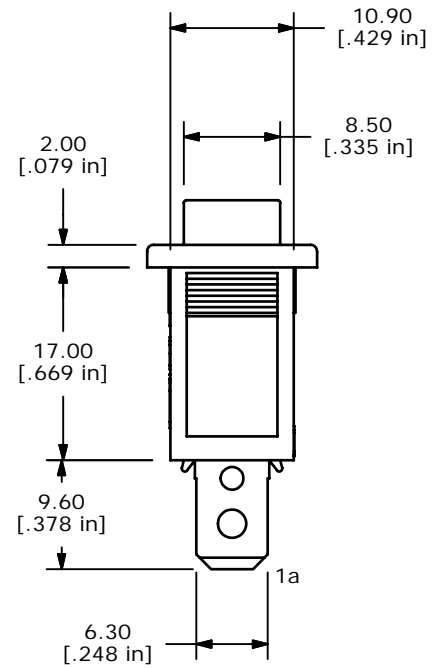
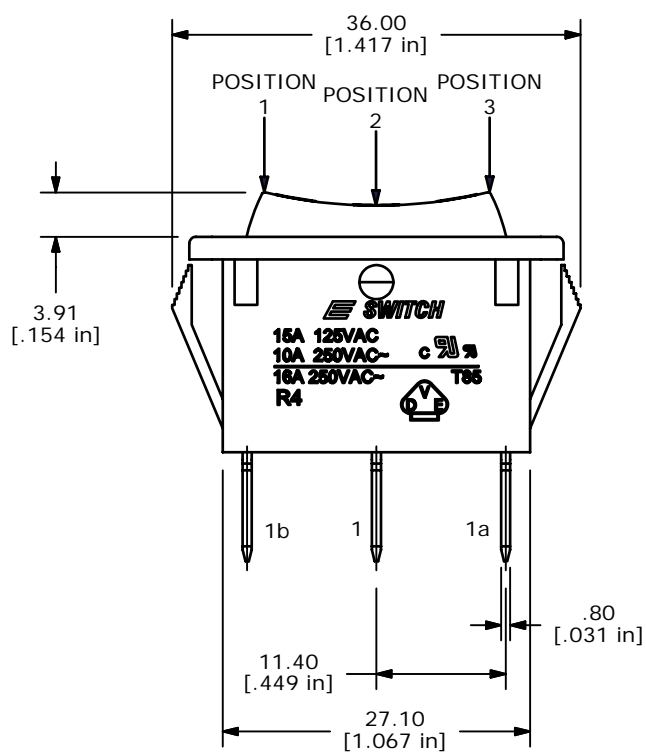
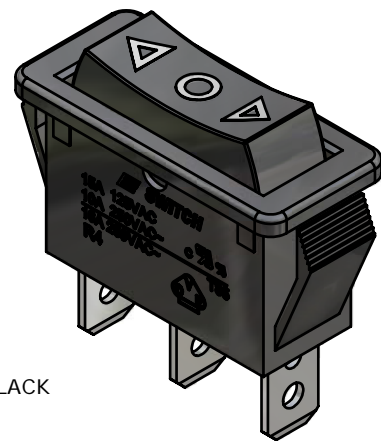
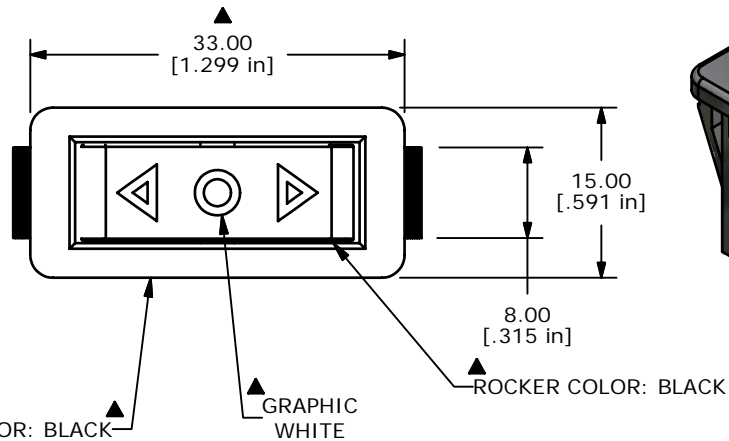
RECOMMENDED PANEL MOUNTING

PANEL THICKNESS	X± 0.05
0.75-1.25	29.65
1.25-2.00	30.15
2.00-3.00	30.50

SWITCH FUNCTION		
POS. 1	POS. 2	POS. 3
ON	OFF	ON
1-1a	OPEN	1-1b

NOTES:

- ALL DIMENSIONS IN MM [INCH]
- GENERAL TOLERANCE: X.X=± 0.4  
X.XX=± 0.25
- TERM. NOS. FOR REF. ONLY
- RATING: 15A 125VAC, 10A 250VAC UL APPROVED  
10A 250VAC VDE APPROVED
- MECHANICAL LIFE: > 30,000 CYCLES
- ELECTRICAL LIFE: < 20mOHMS (INITIAL)
- DIELECTRIC STRENGTH: > 1500V 1 min
- OPERATING TEMPERATURE: TERMINAL SIDE: -20°C to 85°C  
ROCKER SIDE: -20°C to 55°C
- FLAMABILITY: UL94 V-2
- ▲ DENOTES CRITICAL PARAMETER
- 2002/95/EC (ROHS) COMPLIANT



REV	PCR NO	DESCRIPTION	DATE	BY
C	15996	UPDATE NOTES AND DIMS	5/2/06	CT
B	15817	REVISE AND REDRAWN	2/23/06	PH

TITLE R4DBLKBLKHFO				
SCALE 1:1	DATE 7/11/2000	DR GLG	DWG M040114	REV C

THE INFORMATION CONTAINED IN THIS DOCUMENT IS PROPRIETARY TO E-SWITCH AND IS NOT TO BE COPIED OR TRANSFERRED