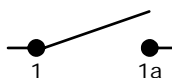


RECOMMENDED PANEL MOUNTING

PANEL THICKNESS	X
0.75-1.25	30.0
1.25-2.00	30.2
2.00-3.00	30.6



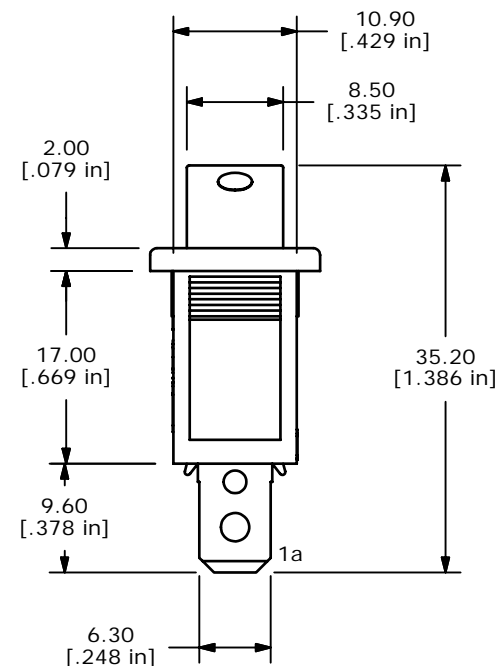
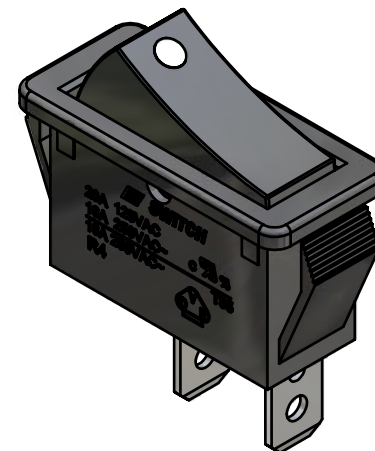
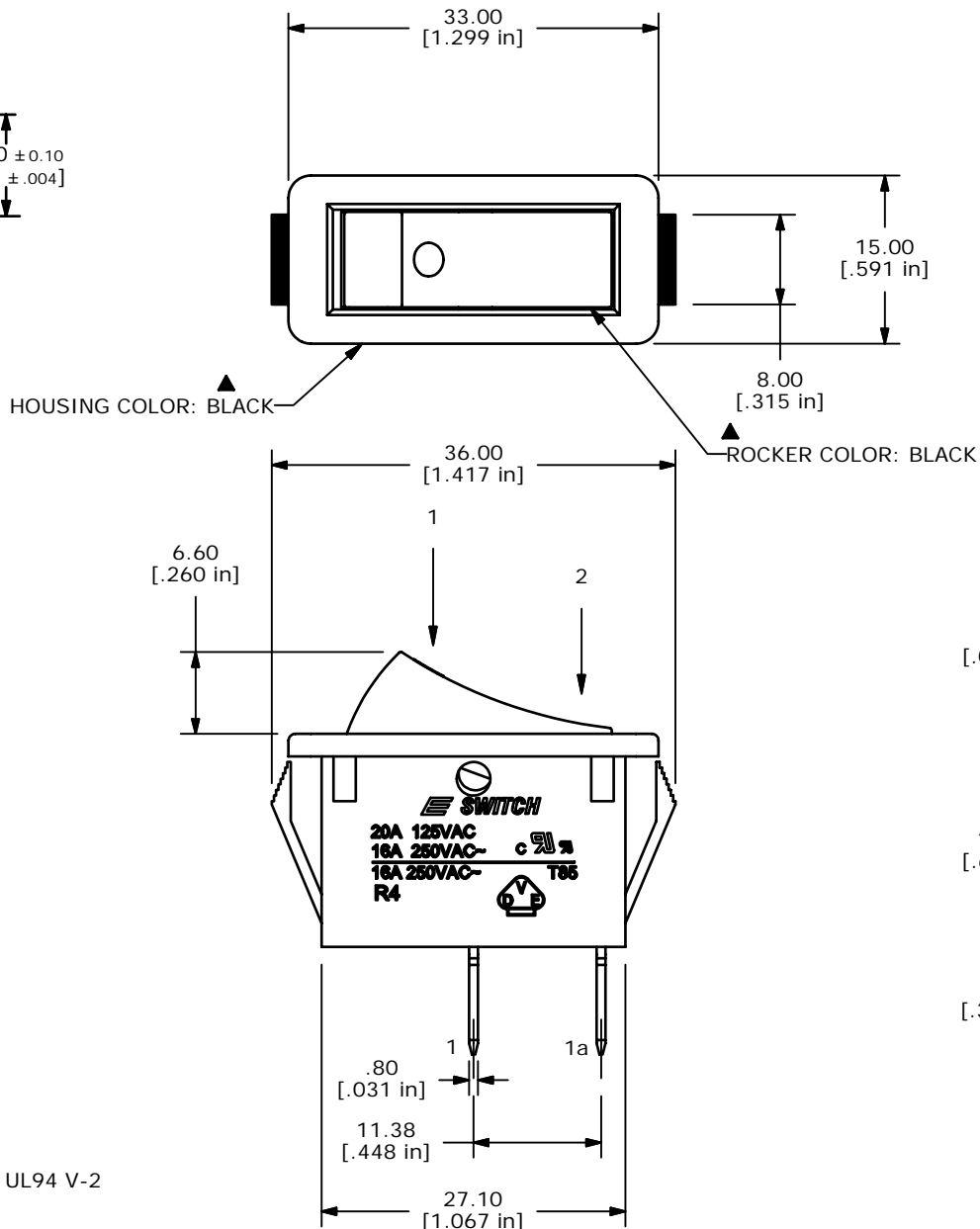
CIRCUIT: SPST

SWITCH FUNCTION		
POS. 1	POS. 2	POS. 3
(ON)	NONE	OFF
1-1a	NONE	OPEN

(ON)=MOMENTARY

NOTES:

- ALL DIMENSIONS IN MM [INCH]
- GENERAL TOLERANCE: X.X=± 0.4
X.XX=± 0.25
- TERM. NOS. FOR REF. ONLY
- RATING: 20A 125VAC, 16A 250VAC
- MATERIAL: BODY & ROCKER, NYLON 6/6 UL94 V-2
- LAMP VOLTAGE: NO LAMP
- ▲DENOTES CRITICAL PARAMETER.



E-SWITCH®

D	15993	UPDATE RATING NOTE	4/28/06	CT
C	14811	REVISED AND REDRAWN	4/15/05	JEB
REV	PCR NO	DESCRIPTION	DATE	BY

TITLE R4FBLKBLKAF0				
SCALE	DATE	DR	DWG	REV
1:1	3/15/2001	CJB	M050218	D

THE INFORMATION CONTAINED IN THIS DOCUMENT IS PROPRIETARY TO E-SWITCH AND IS NOT TO BE COPIED OR TRANSFERRED