

CIRCUIT: SPST

RECOMMENDED PANEL MOUNTING

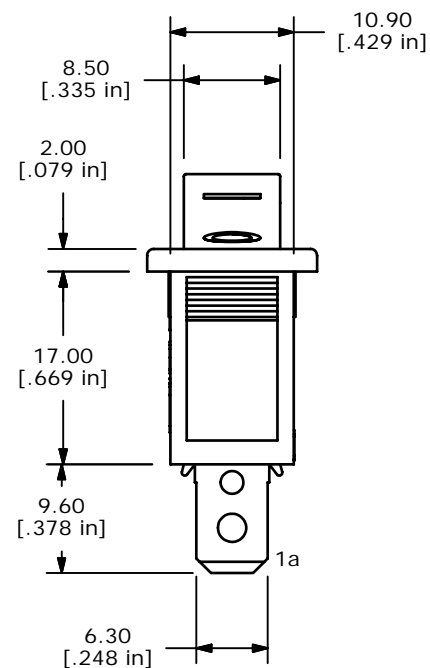
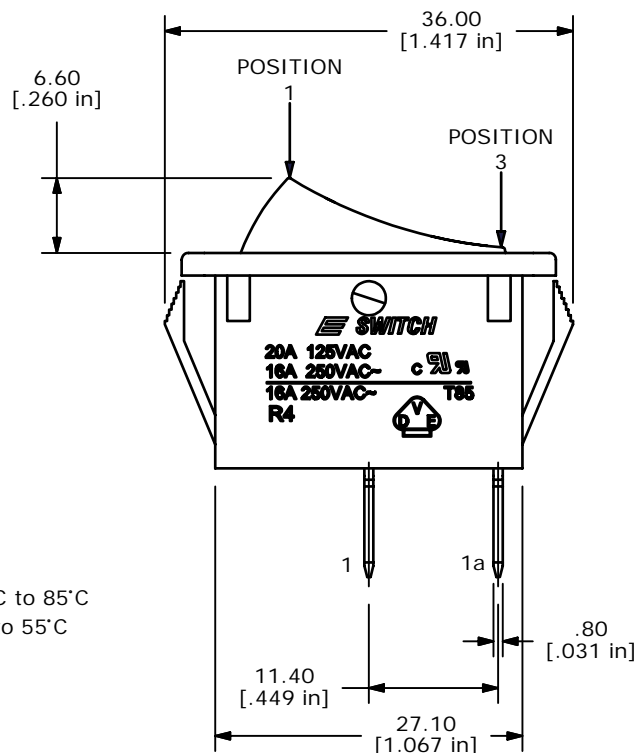
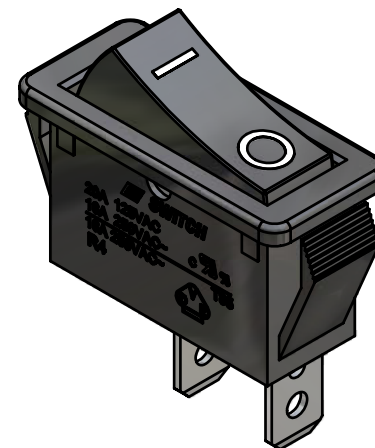
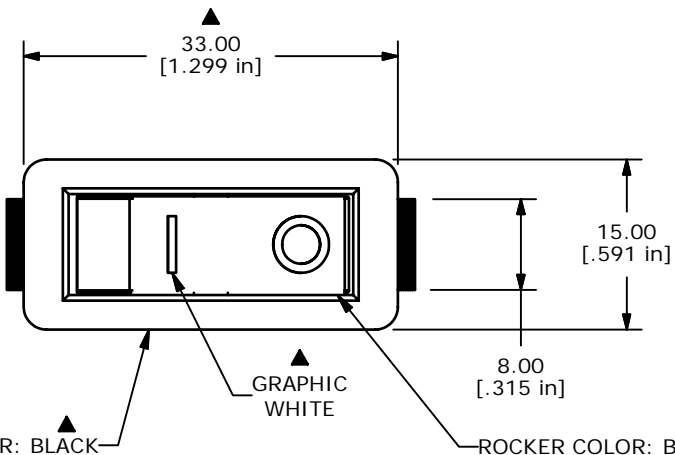
PANEL THICKNESS	X ± 0.05
0.75-1.25	29.65
1.25-2.00	30.15
2.00-3.00	30.50

SWITCH FUNCTION		
POS. 1	POS. 2	POS. 3
(ON)	N/A	OFF
1-1a	NONE	OPEN

(ON)=MOMENTARY

NOTES:

- ALL DIMENSIONS IN MM [INCH]
- GENERAL TOLERANCE: X.X=±0.4
X.XX=±0.25
- TERM. NOS. FOR REF. ONLY
- RATING: 20A 125VAC, 16A 250VAC UL APPROVED
16A 250VAC VDE APPROVED
- MECHANICAL LIFE: > 30,000 CYCLES
- ELECTRICAL LIFE: < 20mOHMS (INITIAL)
- DIELECTRIC STRENGTH: > 1500V 1 min
- OPERATING TEMPERATURE: TERMINAL SIDE: -20°C to 85°C
ROCKER SIDE: -20°C to 55°C
- FLAMABILITY: UL94 V-2
- ▲ DENOTES CRITICAL PARAMETER
- 2002/95/EC (ROHS) COMPLIANT



D	16027	UPDATE NOTES AND DIMS	5/16/06	CT
C	15854	REVISE AND REDRAWN	3/9/06	PH
REV	PCR NO	DESCRIPTION	DATE	BY

TITLE R4FBLKBLKGF0				
SCALE	DATE	DR	DWG	REV
1.5:1	3/9/2006	--	M040129	D

THE INFORMATION CONTAINED IN THIS DOCUMENT IS PROPRIETARY TO E-SWITCH AND IS NOT TO BE COPIED OR TRANSFERRED