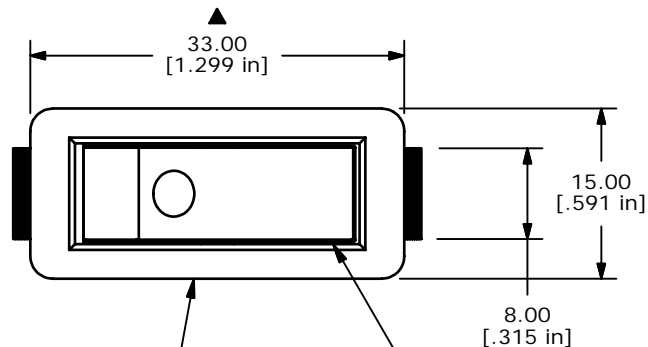
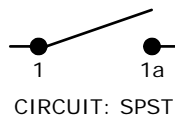


RECOMMENDED PANEL MOUNTING

PANEL THICKNESS	X±0.05
0.75-1.25	29.65
1.25-2.00	30.15
2.00-3.00	30.50

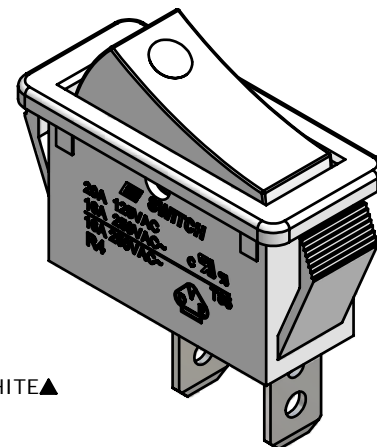
SWITCH FUNCTION		
POS. 1	POS. 2	POS. 3
(ON)	N/A	OFF
1-1a	NONE	OPEN

(ON)=MOMENTARY



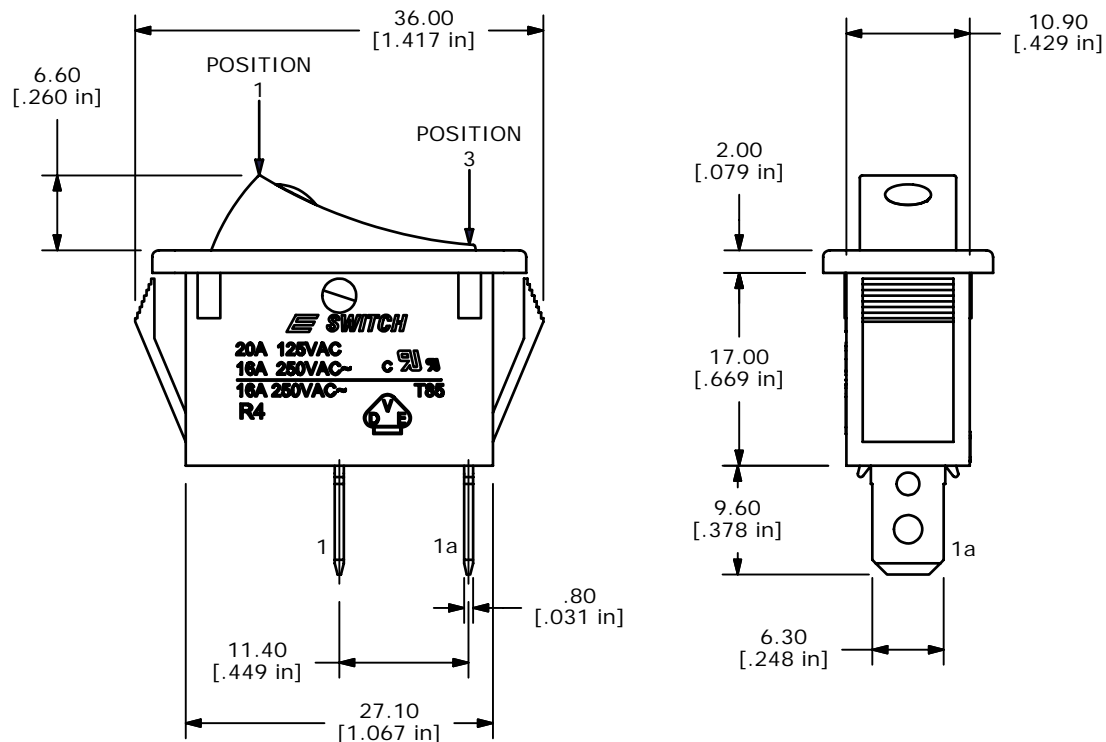
HOUSING COLOR: WHITE▲

ROCKER COLOR: WHITE▲



NOTES:

- ALL DIMENSIONS IN MM [INCH]
- GENERAL TOLERANCE: X.X=±0.4
X.XX=±0.25
- TERM. NOS. FOR REF. ONLY
- RATING: 15A 125VAC, 10A 250VAC UL APPROVED
10A 250VAC VDE APPROVED
- MECHANICAL LIFE: >30,000 CYCLES
- ELECTRICAL LIFE: < 20mOHMS (INITIAL)
- DIELECTRIC STRENGTH: > 1500V 1 min
- OPERATING TEMPERATURE: TERMINAL SIDE: -20°C to 85°C
ROCKER SIDE: -20°C to 55°C
- FLAMABILITY: UL94 V-2
- ▲ DENOTES CRITICAL PARAMETER
- 2002/95/EC (ROHS) COMPLIANT



E-SWITCH®

REV	PCR NO	DESCRIPTION	DATE	BY
D	16136	UPDATE DWG TO CURRENT STANDARDS	6/12/06	CT
C	15883	REVISE AND REDRAWN	3/21/06	PH

TITLE R4FWHTWHITEF0				
SCALE 1.5:1	DATE 3/21/2006	DR --	DWG M040209	REV D

THE INFORMATION CONTAINED IN THIS DOCUMENT IS PROPRIETARY TO E-SWITCH AND IS NOT TO BE COPIED OR TRANSFERRED