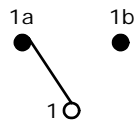


RECOMMENDED PANEL MOUNTING

PANEL THICKNESS	X±0.05
0.75-1.25	29.65
1.25-2.00	30.15
2.00-3.00	30.50



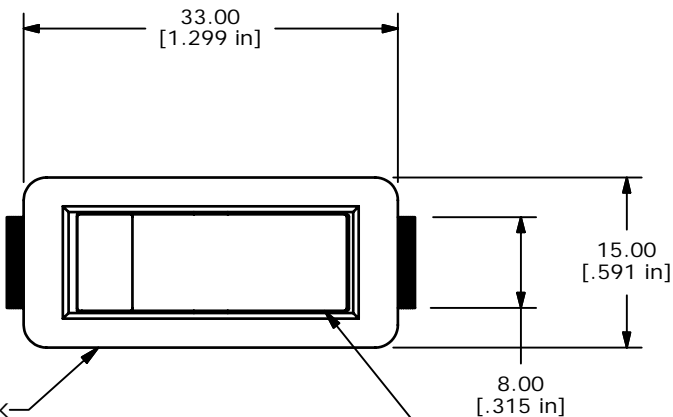
CURCUIT: SPDT

SWITCH FUNCTION		
POS. 1	POS. 2	POS. 3
(ON)	OFF	(ON)
1-1a	OPEN	1-1b

(ON)=MOMENTARY

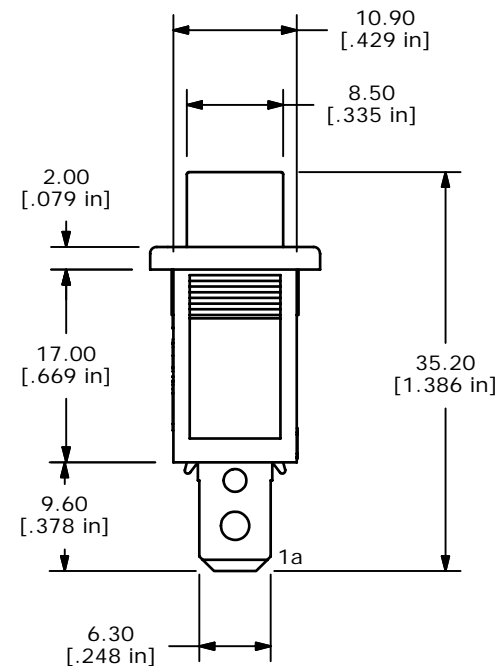
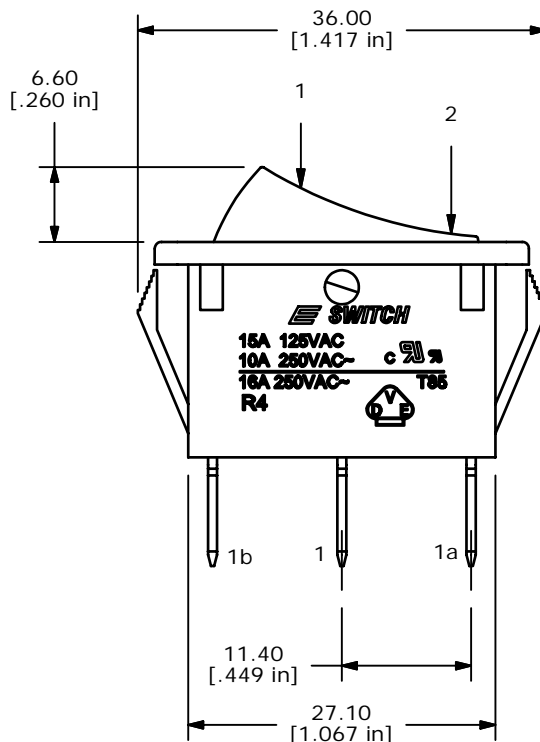
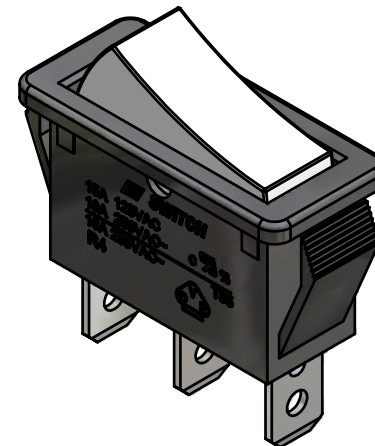
NOTES:

- ALL DIMENSIONS IN MM [INCH]
- GENERAL TOLERANCE: X.X=±0.4
X.XX=±0.25
- TERM. NOS. FOR REF. ONLY
- RATING: 15A 125VAC, 10A 250VAC
- MATERIAL: BODY & ROCKER, NYLON 6/6 UL94 V-2
- LAMP VOLTAGE: NO LAMP
- ▲DENOTES CRITICAL PARAMETER.
- 2002/95/EC (ROHS) COMPLIANT



▲HOUSING COLOR: BLACK

ROCKER COLOR: WHITE▲



E-SWITCH®

TITLE R4GBLKWHTFEF0

B	15916	REVISED REDRAWN	3/29/06	PH
REV	PCR NO	DESCRIPTION	DATE	BY

SCALE	DATE	DR	DWG	REV
1:1	3/29/2006	--	M040216	B

THE INFORMATION CONTAINED IN THIS DOCUMENT IS PROPRIETARY TO E-SWITCH AND IS NOT TO BE COPIED OR TRANSFERRED