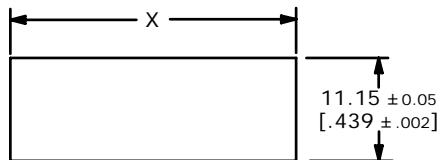


CIRCUIT: SPST



RECOMMENDED PANEL MOUNTING

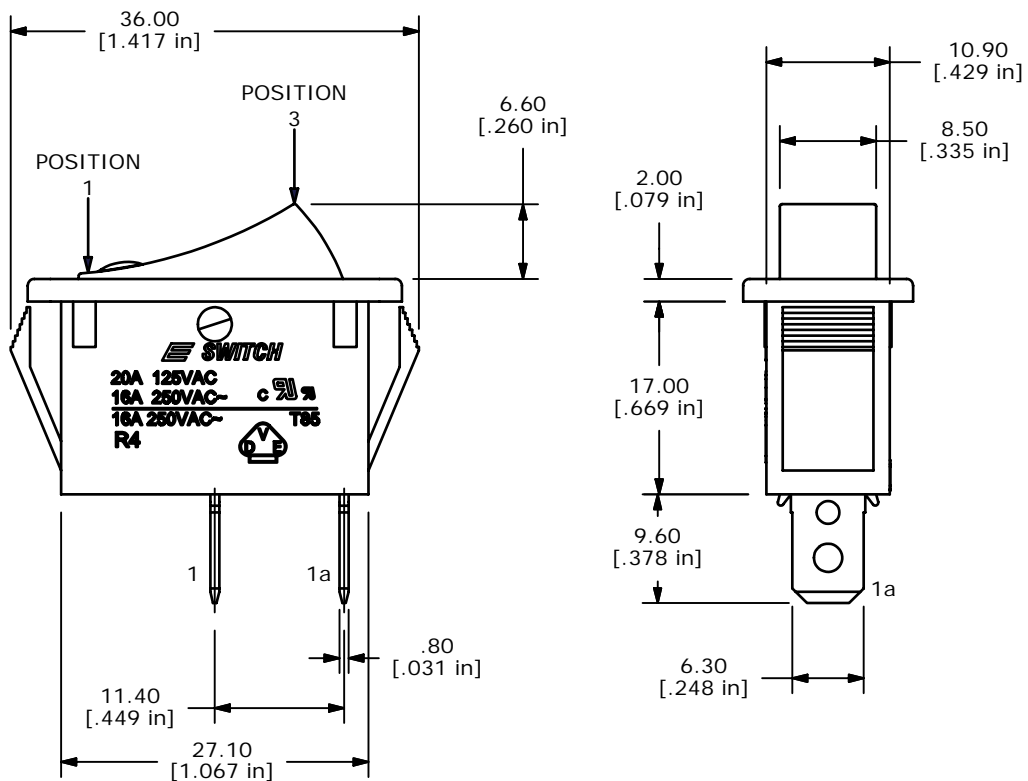
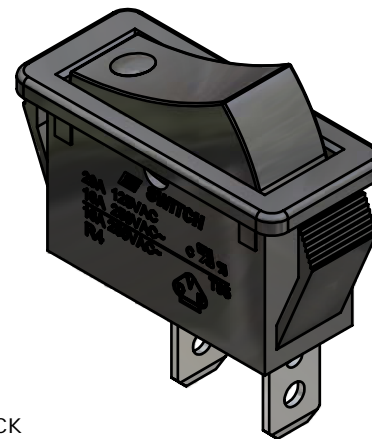
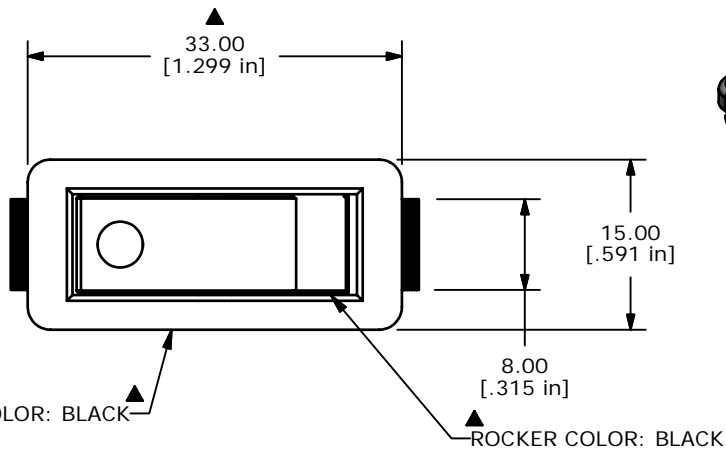
PANEL THICKNESS	X± 0.05
0.75-1.25	29.65
1.25-2.00	30.15
2.00-3.00	30.50

SWITCH FUNCTION		
POS. 1	POS. 2	POS. 3
ON	N/A	(OFF)
1-1a	NONE	OPEN

()=MOMENTARY

NOTES:

- ALL DIMENSIONS IN MM [INCH]
- GENERAL TOLERANCE: X.X±0.4
X.XX±0.25
- TERM. NOS. FOR REF. ONLY
- RATING: 20A 125VAC, 16A 250VAC UL APPROVED
16A 250VAC VDE APPROVED
- MECHANICAL LIFE: >30,000 CYCLES
- ELECTRICAL LIFE: < 20mOHMS (INITIAL)
- DIELECTRIC STRENGTH: > 1500V 1 min
- OPERATING TEMPERATURE: TERMINAL SIDE: -20C to 85C
ROCKER SIDE: _20C to 85C
- FLAMABILITY: UL94 V-2
- ▲DENOTES CRITICAL PARAMETER
- 2002/95/EC (ROHS) COMPLIANT



REV	PCR NO	DESCRIPTION	DATE	BY
E	15996	UPDATE NOTES AND DIMS	5/2/06	CT
D	15817	REVISE AND REDRAWN	2/23/06	PH

TITLE R4HBLKBLKEF0				
SCALE 1:1	DATE 3/31/1999	DR MM	DWG M040111	REV E

THE INFORMATION CONTAINED IN THIS DOCUMENT IS PROPRIETARY TO E-SWITCH AND IS NOT TO BE COPIED OR TRANSFERRED