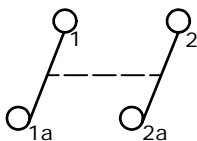


PANEL THICKNESS	X
0.70-1.25	30.1 ± 0.1
1.25-2.00	30.3 ± 0.1
2.00-3.00	30.7 ± 0.1

RECOMMENDED PANEL MOUNTING

SWITCH FUNCTION		
POS. 1	POS. 2	POS. 3
ON	NONE	OFF
1-1a, 2-2a	N/A	OPEN



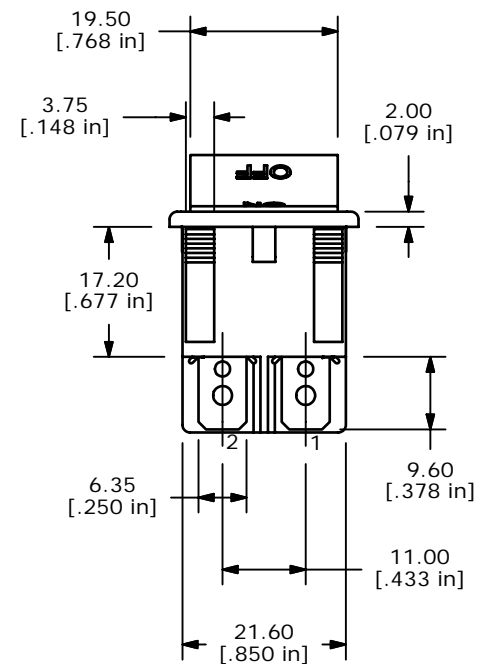
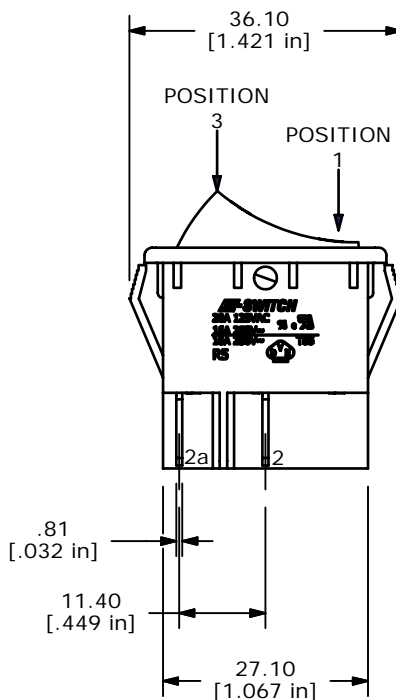
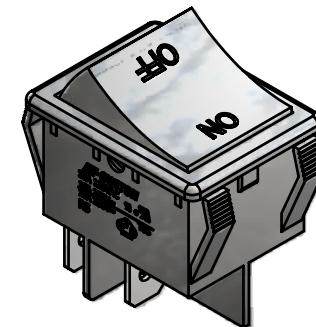
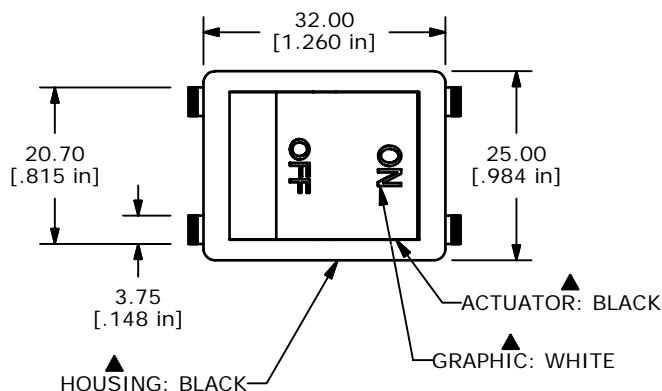
CIRCUIT: DPST
ON-OFF

NOTES:

- ALL DIMENSIONS IN MM [INCH]
- GENERAL TOLERANCE: X.X = ±0.4
X.XX = ±0.25
- TERM. NOS. FOR REF. ONLY
- RATING: 20A @125VAC UL APPROVED
16A @250VAC UL APPROVED
16A @ 250VAC VDE APPROVED
- ELECTRICAL LIFE: 10,000 CYCLES
- MECHANICAL LIFE: 30,000 CYCLES
- CONTACT RESISTANCE: <20 MILLI-OHMS INITIAL
- DIELECTRIC STRENGTH: >1,500V AC 1MIN
- INSULATION RESISTANCE: >1000MOHMS
- OPERATING TEMP: TERMINAL SIDE: -20°C to 85°C

ROCKER SIDE: -20°C to 55°C

- ▲ DENOTES CRITICAL PARAMETER.
- 2002/95/EC (ROHS) COMPLIANT



E-SWITCH®

TITLE R5ABLKBLKIF0

D	16461	CONV. INVENTOR, UPDATES MADE	9/22/2006	TN
REV	PCR NO	DESCRIPTION	DATE	BY

SCALE	DATE	DR	DWG	REV
1:1	9/22/2006	BO	M050220	D

THE INFORMATION CONTAINED IN THIS DOCUMENT IS PROPRIETARY TO E-SWITCH AND IS NOT TO BE COPIED OR TRANSFERRED