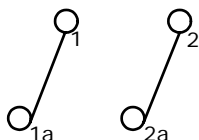


RECOMMENDED PANEL MOUNTING

PANEL THICKNESS	X
0.75-1.25	30.0
1.25-2.00	30.2
2.00-3.00	30.6

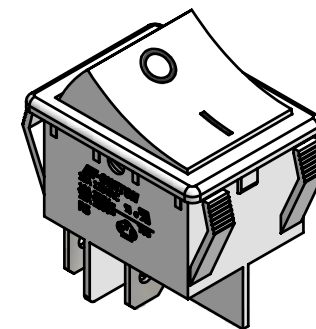
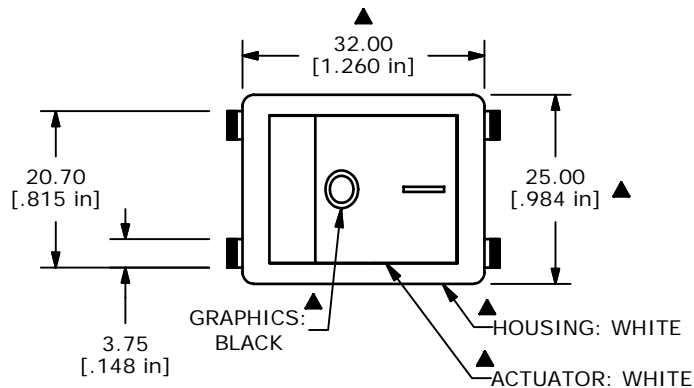
SWITCH FUNCTION		
POS. 1	POS. 2	POS. 3
ON	NONE	OFF
1-1a, 2-2a	N/A	OPEN



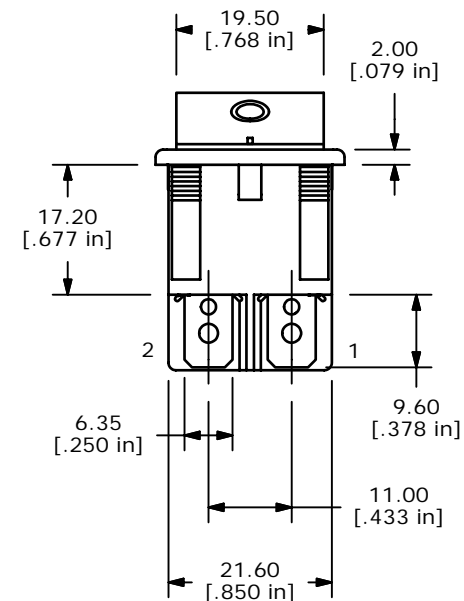
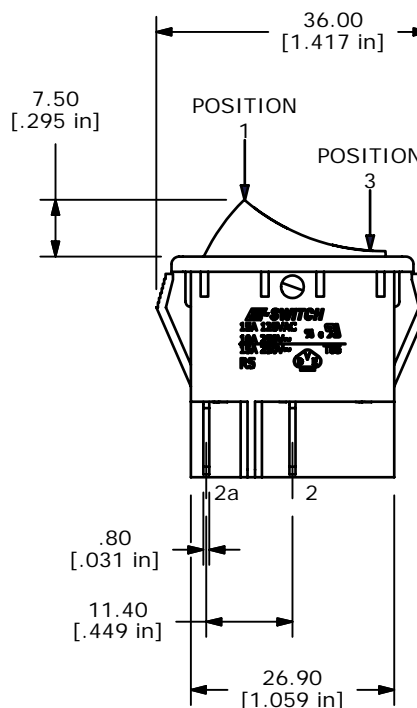
CIRCUIT: DPST  
ON-OFF

NOTES:

1. ALL DIMENSIONS IN MM [INCH]
2. GENERAL TOLERANCE: X.X=±0.4  
X.XX=±0.25
3. TERM. NOS. FOR REF. ONLY
- ▲ 4. RATING: 15A @125VAC; 10A @250VAC UL APPROVED  
10A @ 250VAC VDE APPROVED
5. ELECTRICAL LIFE: 10,000 CYCLES
6. MECHANICAL LIFE: 30,000 CYCLES
7. CONTACT RESISTANCE: <20 MILLI-OHMS INITIAL
8. DIELECTRIC STRENGTH: >1,500V AC 1MIN
9. ▲ DENOTES CRITICAL PARAMETER.
10. INSULATION RESISTANCE: 1000mOHMS
11. OPERATING TEMP: TERMINAL SIDE: -20°C to 85°C  
ROCKER SIDE: -20°C to 55°C
12. 2002/95/EC (ROHS) COMPLIANT



ISOMETRIC



B	16144	UPDATE DWG TO CURRENT STANDARDS	6/14/06	CT
A	15020	RELEASED FOR PRODUCTION	6/28/05	JB
REV	PCR NO	DESCRIPTION	DATE	BY

TITLE R5AWHTWHTFF0				
SCALE 1:1	DATE 6/28/2005	DR JB	DWG M050245	REV B

THE INFORMATION CONTAINED IN THIS DOCUMENT IS PROPRIETARY TO E-SWITCH AND IS NOT TO BE COPIED OR TRANSFERRED