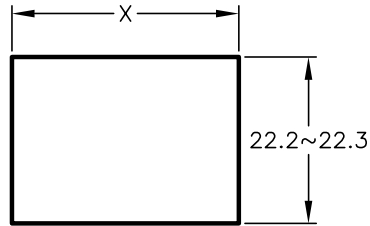


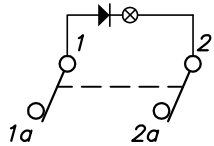
PANEL THICKNESS	X dimension
0.75~1.25 [.030~.049]	30.0 ± 0.2 [1.181]
1.25~2.0 [.049~.079]	30.2 ± 0.2 [1.189]
2.0~3.0 [.079~.118]	30.6 ± 0.2 [1.205]



RECOMMENDED PANEL MOUNTING

NOT TO SCALE

(ILLUMINATED)



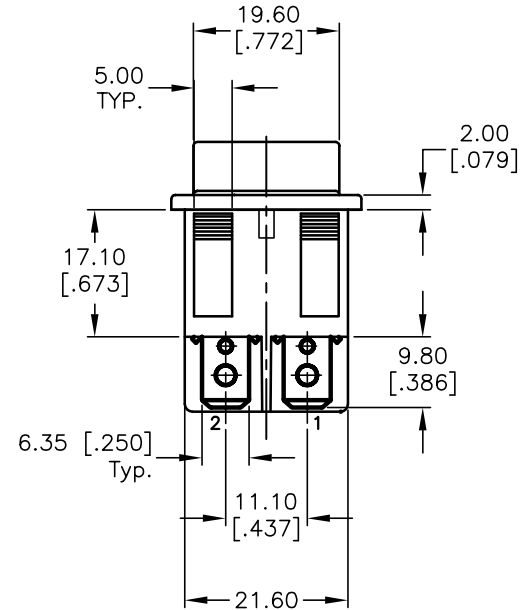
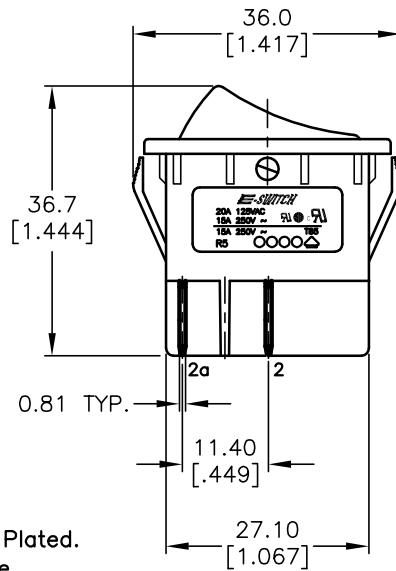
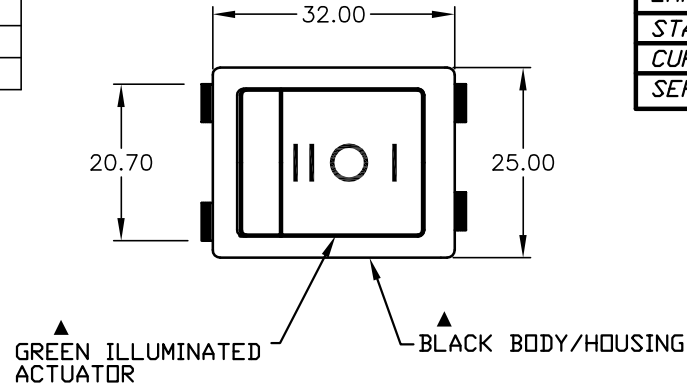
CIRCUIT: DPST
ON-OFF

NOTES:

- ALL DIMENSIONS IN MM [INCH]
- GENERAL TOLERANCE: X.X \pm 0.4
X.XX \pm 0.25
- TERM. NOS. FOR REF. ONLY
- RATING: 20A @125VAC;
15A @250VAC. (Normal Conditions)
- LAMP VOLTAGE: 125V (NEON BULB)
- MATERIAL:
CONTACT SURFACE: Coin Silver, Silver Plated.
TERMINAL: Copper ALLOY w/Silver plate
- ELECTRICAL LIFE: \geq 10,000 cycles
- MECHANICAL LIFE: 30,000 cycles
- CONTACT RESISTANCE: <20 mLLI-Ohms initial
- DIELECTRIC STRENGTH: >1,500V AC 1min
>3,000V between poles.

NEON BULB

PARAMETERS	SYMBOL	MAX.	UNITS
LAMP VOLTAGE (AC)	V	125	V
STARTUP VOLTAGE	V _s	85	V
CURRENT	I	1.2	mA
SERIES RESISTANCE	R	47	OHMS



E-SWITCH®

TITLE

R5BBLKGRNBF1

REV.	ECN No.	DESCRIPTION	DATE	CHKD
A	13630	RELEASED FOR PRODUCTION	11/26/03	AR

SCALE

1:1

DATE

11/26/03

DR

AR

DWG

M050235

REV

A

THE INFORMATION CONTAINED IN THIS DOCUMENT IS PROPRIETARY TO E-SWITCH AND IS NOT TO BE COPIED OR TRANSFERRED