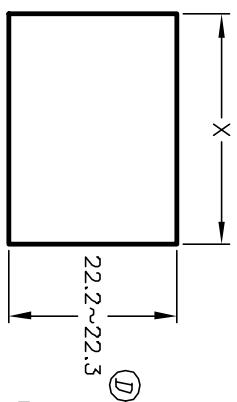
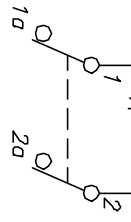


PANEL THICKNESS	X dimension
0.75~1.25 [0.030~0.049]	30.0 +0.2 [1.181]
1.25~2.0 [0.049~0.079]	30.2 +0.2 [1.189]
2.0~3.0 [0.079~0.118]	30.6 +0.2 [1.205]



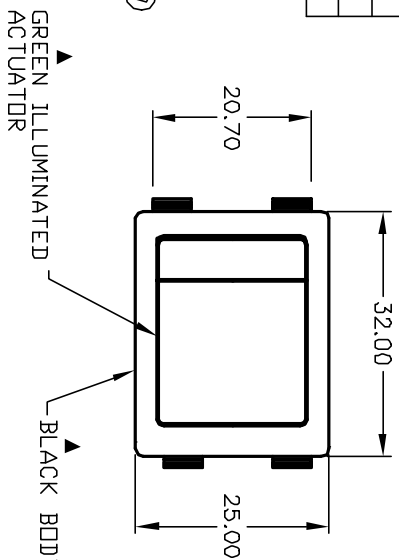
RECOMMENDED PANEL MOUNTING

NOT TO SCALE  
(ILLUMINATED)



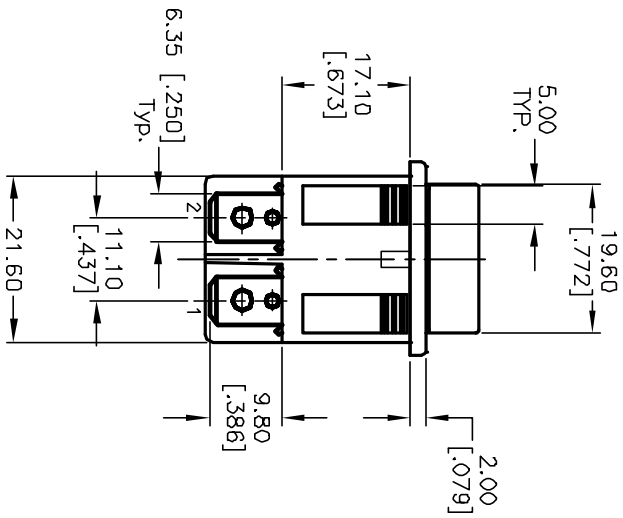
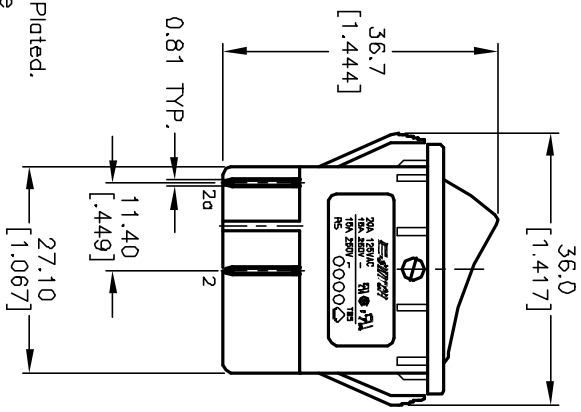
CIRCUIT: DPST  
ON-OFF

- NOTES:
1. ALL DIMENSIONS IN MM [INCH]
  2. GENERAL TOLERANCE: X.XX=±0.4  
X.XX=±0.25
  3. TERM. NOS. FOR REF. ONLY
  4. RATING: 20A @125VAC;  
15A @250VAC. (Normal Conditions)
  5. LAMP VOLTAGE: 250V (NEON BULB)
  6. MATERIAL:  
CONTACT SURFACE: Coin Silver, Silver Plated.  
TERMINAL: Copper ALLOY w/Silver plate
  7. ELECTRICAL LIFE: ≥10,000 cycles
  8. MECHANICAL LIFE: 30,000 cycles
  9. CONTACT RESISTANCE: <20 mΩ-Ohms initial
  10. DIELECTRIC STRENGTH: >1,500V AC 1min  
>3,000V between poles.



NEON BULB

PARAMETERS	SYMBOL	MAX.	UNITS
LAMP VOLTAGE (AC)	V	250	V
STARTUP VOLTAGE	Vs	95	V
CURRENT	I	1.2	mA
SERIES RESISTANCE	R	150	Ω



REV.	ECN No.	DESCRIPTION	DATE	CHKD
D	12276	REVISED PANEL CUTOUT	1/29/03	CJB
C	12296	REVISED RATING	10/4/02	CJB
B	12295	ADD COLOR GREEN TO NOTE 5	6/24/02	CJB

TITLE	SCALE	DATE	DR	DWG	REV
RSB BLK GRN EFF2	1:1	6/24/02	CJB	M050227	D



THE INFORMATION CONTAINED IN THIS DOCUMENT IS PROPRIETARY TO E-SWITCH AND IS NOT TO BE COPIED OR TRANSMITTED