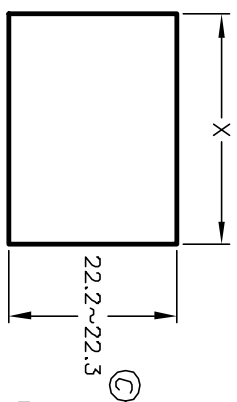
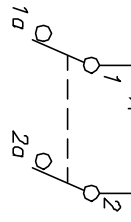


PANEL THICKNESS	X dimension
0.75~1.25 [0.030~0.049]	30.0 +0.2 [1.181]
1.25~2.0 [0.049~0.079]	30.2 +0.2 [1.189]
2.0~3.0 [0.079~0.118]	30.6 +0.2 [1.205]



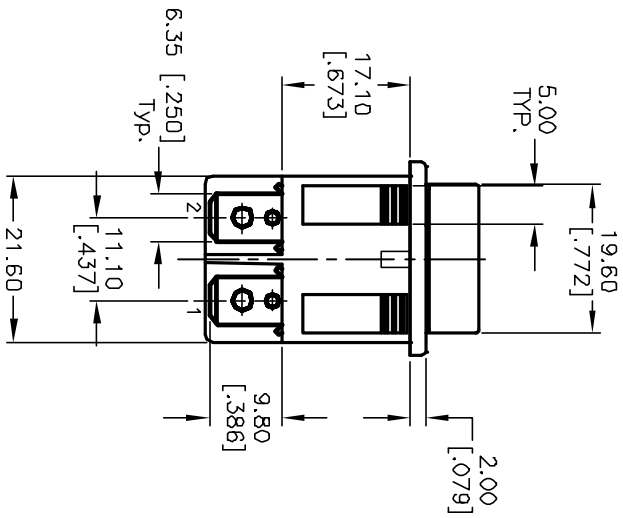
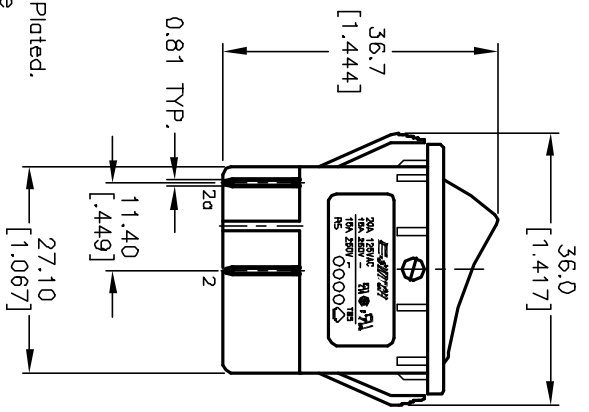
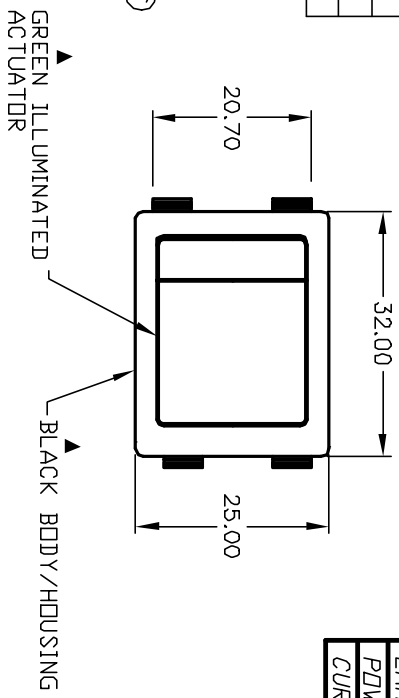
RECOMMENDED PANEL MOUNTING

NOT TO SCALE  
(ILLUMINATED)



CIRCUIT: DPST  
ON-OFF

- NOTES:
1. ALL DIMENSIONS IN MM [INCH]
  2. GENERAL TOLERANCE: X.X=±0.4  
X.XX=±0.25
  3. TERM. NOS. FOR REF. ONLY
  4. RATING: 20A @125VAC;  
15A @250VAC. (Normal Conditions)
  5. LAMP VOLTAGE: 12V DC (Incandescent Bulb)
  6. MATERIAL:  
CONTACT SURFACE: Coin Silver, Silver Plated.  
TERMINAL: Copper ALLOY w/Silver plate
  7. ELECTRICAL LIFE: ≥10,000 cycles
  8. MECHANICAL LIFE: 30,000 cycles
  9. CONTACT RESISTANCE: <20 mΩ—Ohms initial
  10. DIELECTRIC STRENGTH: >1,500V AC 1min  
>3,000V between poles.



INCANDESCENT BULB

PARAMETERS	SYMBOL	MAX.	UNITS
LAMP VOLTAGE (AC/DC)	V	12	V
POWER DISSIPATION	P <sub>d</sub>	2	Watts
CURRENT	I	100	mA

C		12776	REVISED PANEL CUTOUT	1/29/03	CJB	TITLE	SCALE	DATE	DR	DWG	REV	
B		12296	REVISED	10/4/02	CJB							
A		11688	RELEASED FOR PRODUCTION	9/28/01	CJB							
REV.	ECN No.	DESCRIPTION		DATE	CHKD							
<p>THE INFORMATION CONTAINED IN THIS DOCUMENT IS PROPRIETARY TO E-SWITCH AND IS NOT TO BE COPIED OR TRANSFERRED</p>												
<b>E-SWITCH®</b>						RSB BLK GRN EF3						
								1:1	9/28/01	CJB	M050200	C