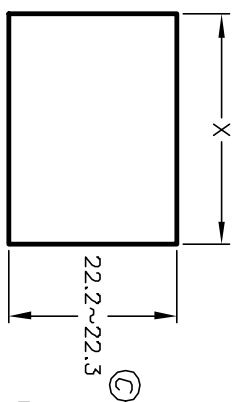
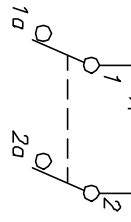


PANEL THICKNESS	X dimension
0.75~1.25 [0.030~0.049]	30.0 +0.2 [1.181]
1.25~2.0 [0.049~0.079]	30.2 +0.2 [1.189]
2.0~3.0 [0.079~0.118]	30.6 +0.2 [1.205]



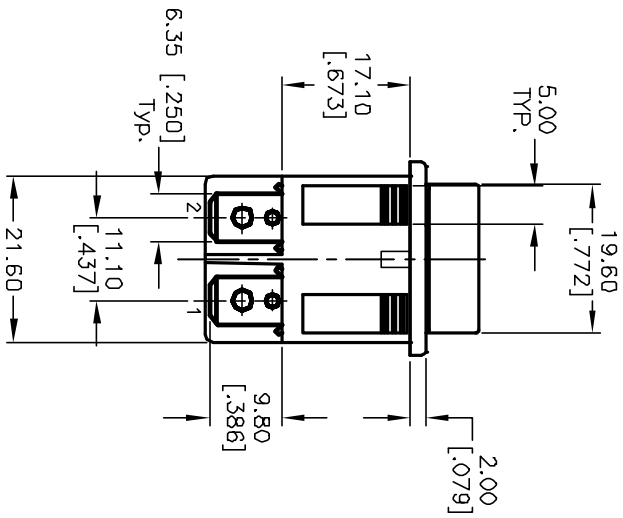
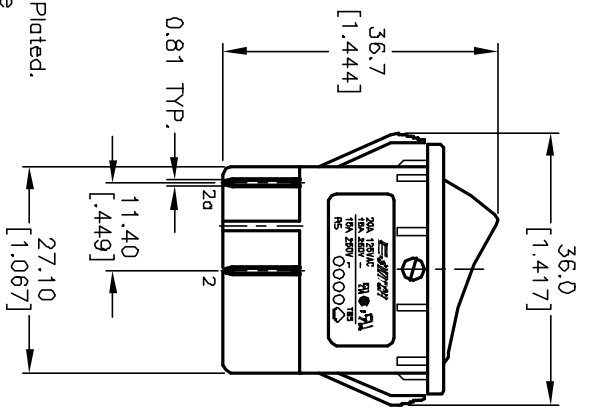
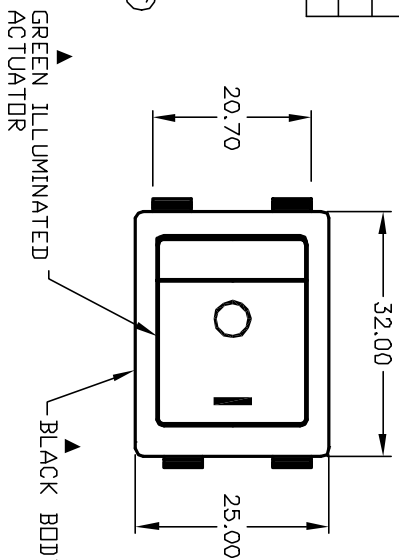
RECOMMENDED PANEL MOUNTING

NOT TO SCALE
(ILLUMINATED)



CIRCUIT: DPST
ON-OFF

- NOTES:
1. ALL DIMENSIONS IN MM [INCH]
 2. GENERAL TOLERANCE: X.X=±0.4
X.XX=±0.25
 3. TERM. NOS. FOR REF. ONLY
 4. RATING: 20A @125VAC;
15A @250VAC. (Normal Conditions)
 5. LAMP VOLTAGE: 125V (NEON BULB)
 6. MATERIAL:
CONTACT SURFACE: Coin Silver, Silver Plated.
TERMINAL: Copper ALLOY w/Silver plate
 7. ELECTRICAL LIFE: ≥10,000 cycles
 8. MECHANICAL LIFE: 30,000 cycles
 9. CONTACT RESISTANCE: <20 mΩ-Dhms initial
 10. DIELECTRIC STRENGTH: >1,500V AC 1min
>3,000V between poles.



NEON BULB

PARAMETERS	SYMBOL	MAX.	UNITS
LAMP VOLTAGE (AC)	V	125	V
STARTUP VOLTAGE	Vs	85	V
CURRENT	I	1.2	mA
SERIES RESISTANCE	R	47	DHMS

C	12776	REVISED PANEL CUTOUT	1/29/03	CJB	TITLE	SCALE	DATE	DR	DWG	REV
B	12296	REVISED	10/4/02	CJB						
A	11688	RELEASED FOR PRODUCTION	9/28/01	CJB						
REV.	ECN No.	DESCRIPTION	DATE	CHKD						

THE INFORMATION CONTAINED IN THIS DOCUMENT IS PROPRIETARY TO E-SWITCH AND IS NOT TO BE COPIED OR TRANSMITTED

E-SWITCH®

RSB BLK GRN GF1

SCALE	1:1
DATE	9/28/01
DR	CJB
DWG	M050219
REV	C