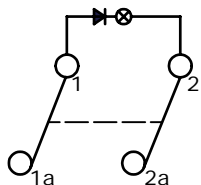


RECOMMENDED PANEL MOUNTING

PANEL THICKNESS	X
0.75-1.25	30.0-30.2
1.25-2.00	30.2-30.4
2.00-3.00	30.6-30.8

NEON BULB

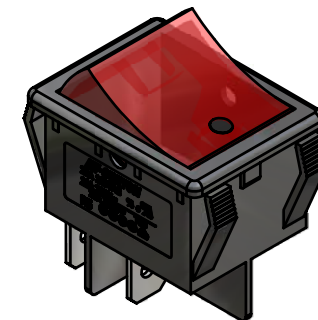
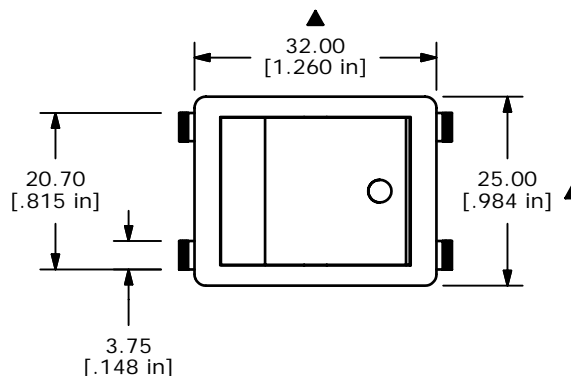


CIRCUIT: DPST  
ON-OFF

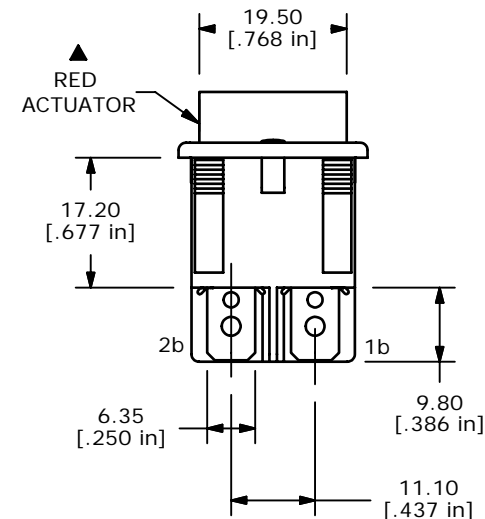
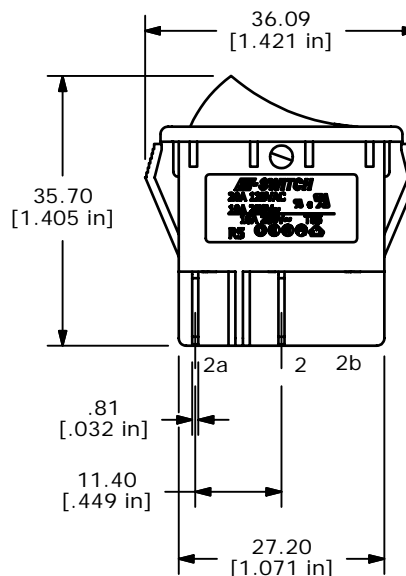
PARAMETERS	SYMBOL	MAX.	UNITS
LAMP VOLTAGE (AC)	V	250	V
STARTUP VOLTAGE	Vs	95	V
CURRENT	I	.9	mA
SERIES RESISTANCE	R	270	KΩ

NOTES:

1. ALL DIMENSIONS IN MM [INCH]
2. GENERAL TOLERANCE: X.X=±0.4  
X.XX=±0.25
3. TERM. NOS. FOR REF. ONLY
4. RATING: 20A @125VAC;  
15A @250VAC.
5. MATERIAL:  
CONTACT SURFACE: SILVER ALLOY  
TERMINAL: COPPER ALLOY w/SILVER PLATE
6. ELECTRICAL LIFE: 10,000 CYCLES
7. MECHANICAL LIFE: 30,000 CYCLES
8. CONTACT RESISTANCE: <20 mΩ INITIAL
9. DIELECTRIC STRENGTH: >1,500V AC 1MIN
10. ▲DENOTES CRITICAL PARAMETER.



ISOMETRIC



REV	PCR NO	DESCRIPTION	DATE	BY
B	15241	CHANGED TO RED ACTUATOR	9/6/05	PH
A	15015	RELEASED FOR PRODUCTION	7/1/05	JB

TITLE R5BBLKREDAF2				
SCALE 1:1	DATE 7/1/2005	DR JB	DWG M050248	REV B

THE INFORMATION CONTAINED IN THIS DOCUMENT IS PROPRIETARY TO E-SWITCH AND IS NOT TO BE COPIED OR TRANSFERRED