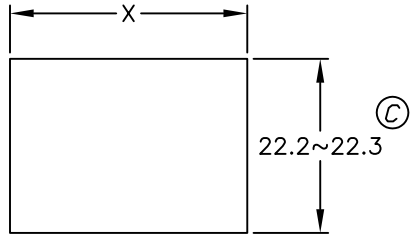


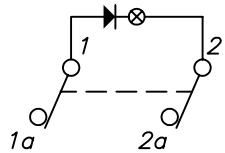
PANEL THICKNESS	X dimension
0.75~1.25 [.030~.049]	30.0 ± 0.2 [1.181]
1.25~2.0 [.049~.079]	30.2 ± 0.2 [1.189]
2.0~3.0 [.079~.118]	30.6 ± 0.2 [1.205]



RECOMMENDED PANEL MOUNTING

NOT TO SCALE

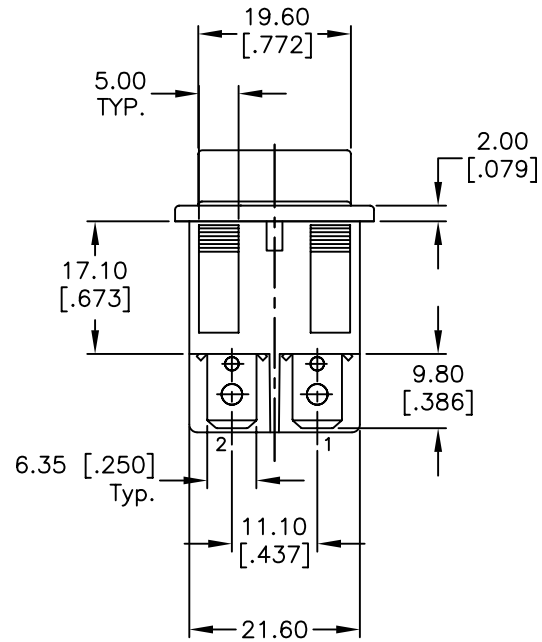
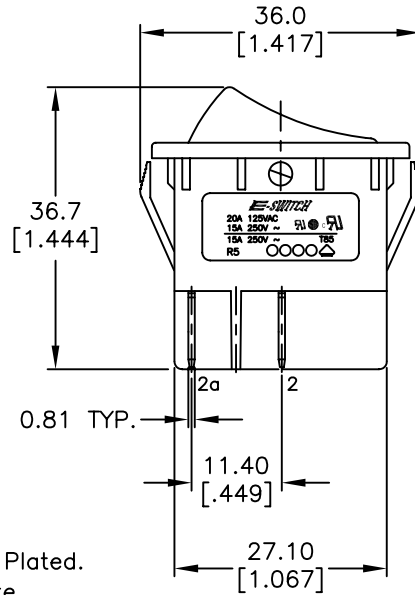
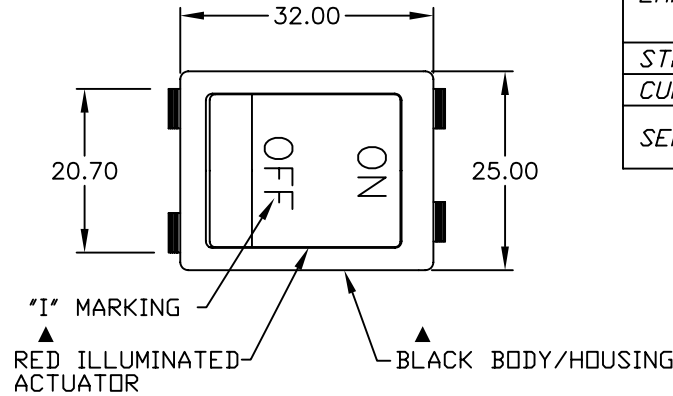
(ILLUMINATED)



CIRCUIT: DPST

NOTES:

1. ALL DIMENSIONS IN MM [INCH]
2. GENERAL TOLERANCE: X.X=±0.4
X.XX=±0.25
3. TERM. NOS. FOR REF. ONLY
4. RATING: 20A @125VAC;
15A @250VAC. (Normal Conditions)
5. LAMP VOLTAGE: 125V (NEON BULB)
6. MATERIAL:
CONTACT SURFACE: Coin Silver, Silver Plated.
TERMINAL: Copper ALLOW w/Silver plate
7. ELECTRICAL LIFE: ≥10,000 cycles
8. MECHANICAL LIFE: 30,000 cycles
9. CONTACT RESISTANCE: <20 milli-Ohms initial
10. DIELECTRIC STRENGTH: >1,500V AC 1min
>3,000V between poles.



NEON BULB

PARAMETERS	SYMBOL	MAX.	UNITS
LAMP VOLTAGE (AC)	V	125	V
STARTUP VOLTAGE	V _s	95	V
CURRENT	I	0.9	mA
SERIES RESISTANCE	R	120	KOHMS

E-SWITCH®

TITLE

R5B BLK RED IF1

SCALE

1:1

DATE

5/5/05

DR

JB

DWG

M050243

REV

A

THE INFORMATION CONTAINED IN THIS DOCUMENT IS PROPRIETARY TO E-SWITCH AND IS NOT TO BE COPIED OR TRANSFERRED

A	14851	RELEASED FOR PRODUCTION	5/5/05	JB
REV.	ECN No.	DESCRIPTION	DATE	CHKD