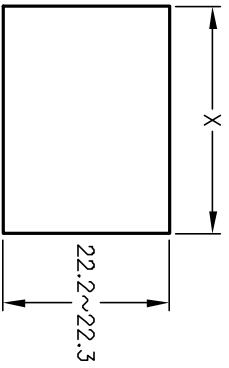


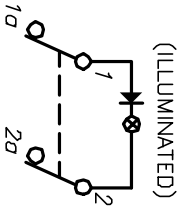
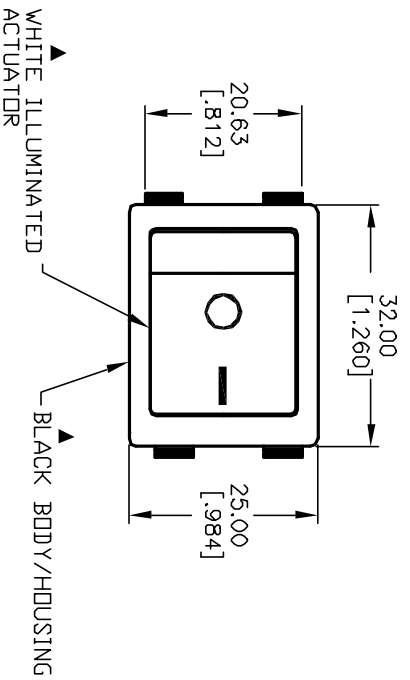
PANEL THICKNESS	X dimension
0.75~1.25 [0.30~.049]	30.0 +0.2 [1.181]
1.25~2.0 [0.49~.079]	30.2 +0.2 [1.189]
2.0~3.0 [0.79~.118]	30.6 +0.2 [1.205]



RECOMMENDED PANEL MOUNTING
NOT TO SCALE

NEON BULB

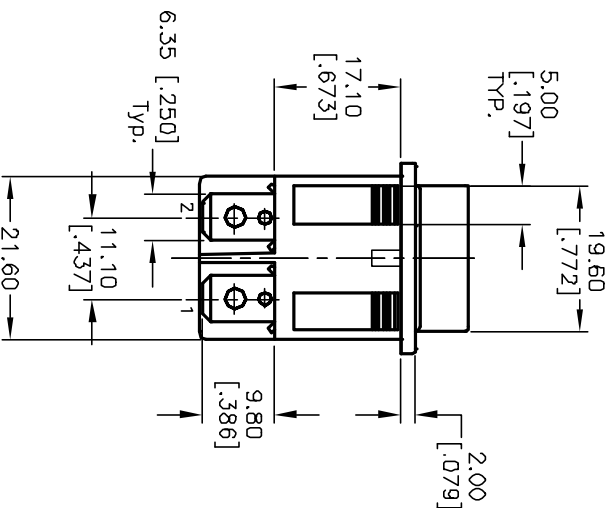
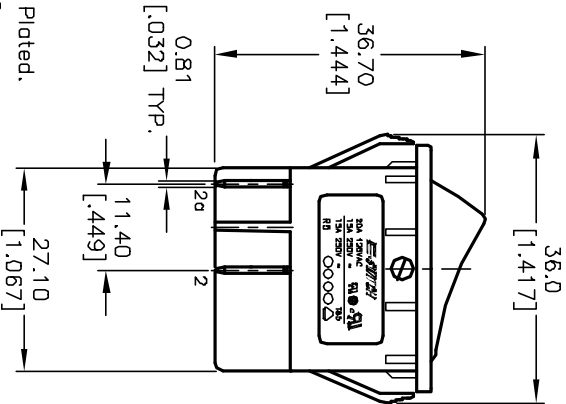
PARAMETERS	SYMBOL	MAX.	UNITS
LAMP VOLTAGE (AC)	V	125	V
STARTUP VOLTAGE	V _s	85	V
CURRENT	I	1.2	mA
SERIES RESISTANCE	R	47	OHMS



CIRCUIT: DPST
ON-OFF

NOTES:

1. ALL DIMENSIONS IN MM [INCH]
2. GENERAL TOLERANCE: X.X=±0.4 X.XX=±0.25
3. TERM. NOS. FOR REF. ONLY
4. RATING: 20A @125VAC;
15A @250VAC. (Normal Conditions)
5. LAMP VOLTAGE: 125V (NEON BULB)
6. MATERIAL:
CONTACT SURFACE: Coin Silver, Silver Plated.
TERMINAL: Copper Alloy w/Silver plate
7. ELECTRICAL LIFE: ≥10,000 cycles
8. MECHANICAL LIFE: 30,000 cycles
9. CONTACT RESISTANCE: <20 MILLI-Ohms initial
10. DIELECTRIC STRENGTH: >1,500V AC 1min
>3,000V between poles.
11. ▲ DENOTES CRITICAL PARAMETER.



E-SWITCH®

TITLE
RSBBLKWHFFF1

REV.	ECN No.	DESCRIPTION	DATE	CHKD	AR
A	13073	RELEASED FOR PRODUCTION	4/223/03		AR

SCALE	DATE	DR	DWG	REV
1:1	4/23/03	AR	M050230	A

THE INFORMATION CONTAINED IN THIS DOCUMENT IS PROPRIETARY TO E-SWITCH AND IS NOT TO BE COPIED OR TRANSFERRED