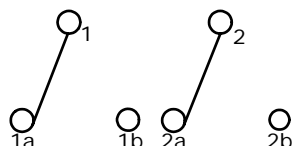


RECOMMENDED PANEL MOUNTING

PANEL THICKNESS	X
0.75-1.25	30.0
1.25-2.00	30.2
2.00-3.00	30.6

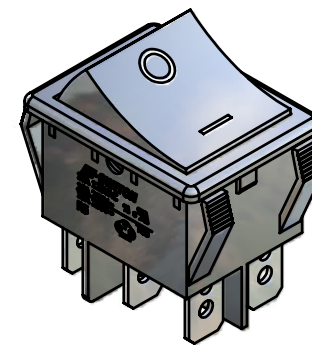
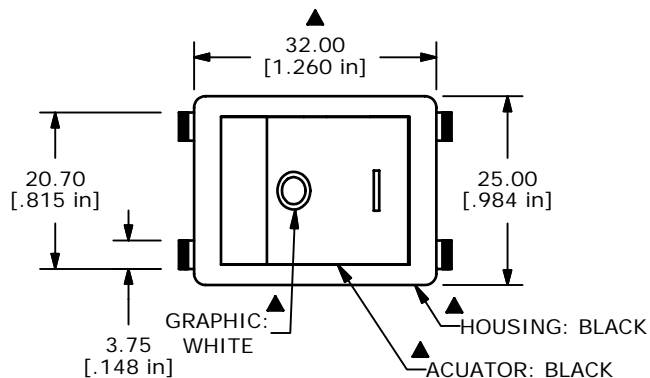
SWITCH FUNCTION		
POS. 1	POS. 2	POS. 3
ON	NONE	ON
1-1a, 2-2a	N/A	1-1b, 2-2b



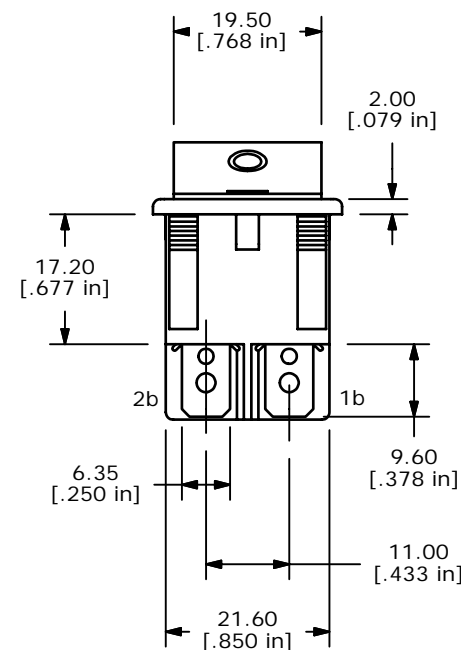
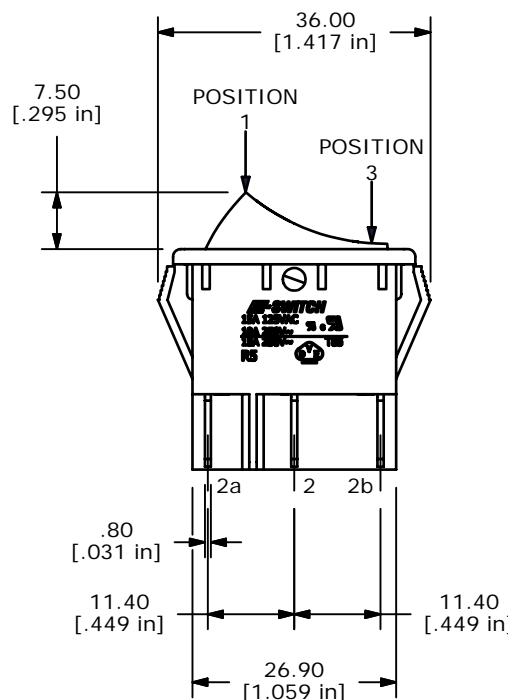
CIRCUIT: DPDT
ON-ON

NOTES:

1. ALL DIMENSIONS IN MM [INCH]
2. GENERAL TOLERANCE: X.X=±0.4
X.XX=±0.25
3. TERM. NOS. FOR REF. ONLY
- ▲ 4. RATING: 20A @125VAC
16A @ 250VAC
5. ELECTRICAL LIFE: 10,000 CYCLES
6. MECHANICAL LIFE: 30,000 CYCLES
7. CONTACT RESISTANCE: <20 MILLI-OHMS INITIAL
8. DIELECTRIC STRENGTH: >1,500V AC 1MIN
9. ▲DENOTES CRITICAL PARAMETER.
10. INSULATION RESISTANCE: 1000mOHMS
11. OPERATING TEMP: TERMINAL SIDE: -20°C to 85°C
ROCKER SIDE: -20°C to 55°C
12. 2002/95/EC (ROHS) COMPLIANT



ISOMETRIC



C	16803	FIXED RATING IN NOTES	12/28/06	TN
B	16144	UPDATE DWG TO CURRENT STANDARDS	6/14/06	CT
A	14988	RELEASED FOR PRODUCTION	6/14/05	JB
REV	PCR NO	DESCRIPTION	DATE	BY

THE INFORMATION CONTAINED IN THIS DOCUMENT IS PROPRIETARY TO E-SWITCH AND IS NOT TO BE COPIED OR TRANSFERRED

E-SWITCH®

TITLE R5CBLKBLKGF0

SCALE	DATE	DR	DWG	REV
1:1	12/28/2006	TN	M050244	C