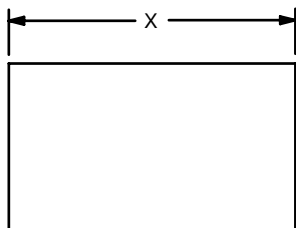


CIRCUIT: DPDT

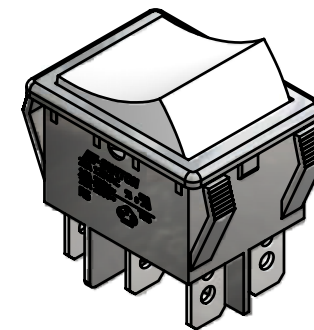
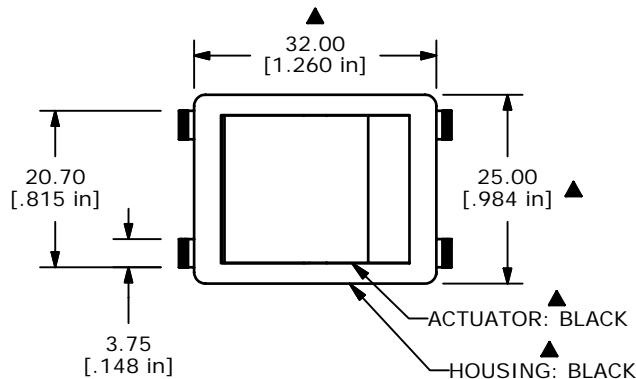


RECOMMENDED PANEL MOUNTING

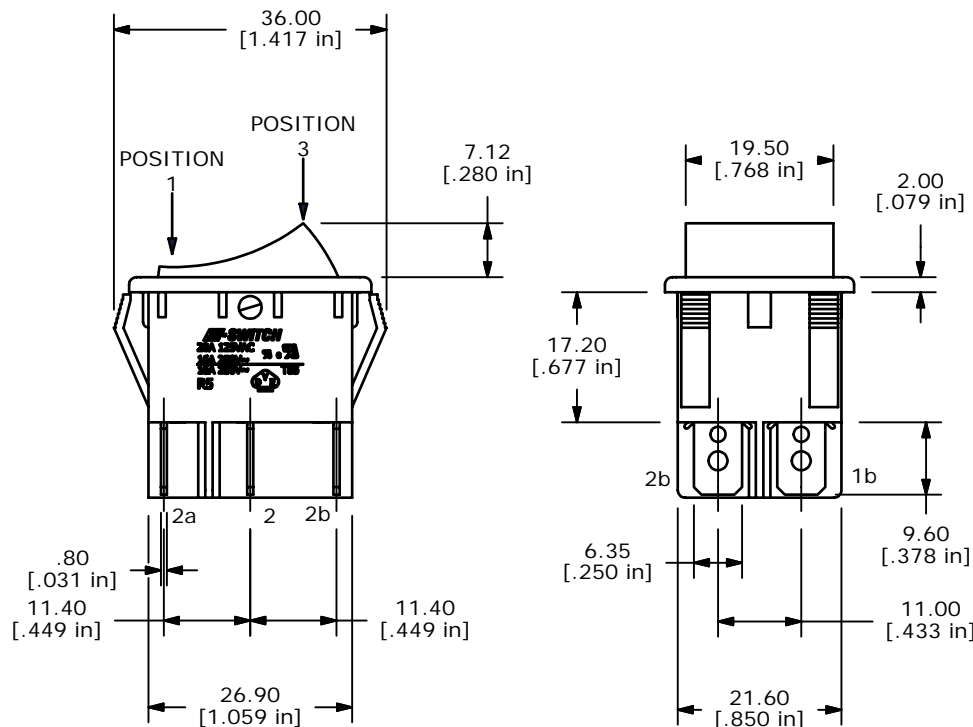
SWITCH FUNCTION		
POS. 1	POS. 2	POS. 3
ON	NONE	(ON)
1-1a, 2-2a	N/A	1-1b, 2-2b

MOMENTARY=(ON)

PANEL THICKNESS	X
0.70-1.25	30.0-30.2
1.25-2.00	30.2-30.4
2.00-3.00	30.6-30.8



ISOMETRIC



NOTES:

1. ALL DIMENSIONS IN MM [INCH]
2. GENERAL TOLERANCE: X.X=±0.4
X.XX=±0.25
3. TERM. NOS. FOR REF. ONLY
- ▲4. RATING: 20A @125VAC; 16A @250VAC UL APPROVED
16A @ 250VAC VDE APPROVED
5. ELECTRICAL LIFE: 10,000 CYCLES
6. MECHANICAL LIFE: 30,000 CYCLES
7. CONTACT RESISTANCE: <20 MILLI-OHMS INITIAL
8. DIELECTRIC STRENGTH: >1,500V AC 1MIN
9. ▲ DENOTES CRITICAL PARAMETER.
10. INSULATION RESISTANCE: 1000mOHMS
11. OPERATING TEMP: TERMINAL SIDE: -20°C to 85°C
ROCKER SIDE: -20°C to 55°C
12. 2002/95/EC (ROHS) COMPLIANT

C	17169	FIXED CORRECTIONS	4/6/07	TN
B	16150	UPDATE DWG TO CURRENT STANDARDS	6/15/06	CT
A	15184	RELEASED FOR PRODUCTION	9/6/05	PH
REV	PCR NO	DESCRIPTION	DATE	BY

THE INFORMATION CONTAINED IN THIS DOCUMENT IS PROPRIETARY TO E-SWITCH AND IS NOT TO BE COPIED OR TRANSFERRED



TITLE R5EBLKBLKEF0

SCALE 1:1	DATE 4/6/2007	DR TN	DWG M050249	REV C
-----------	---------------	-------	-------------	-------