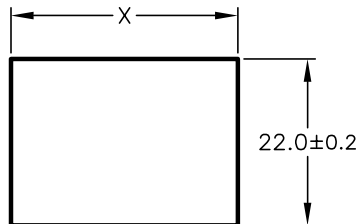
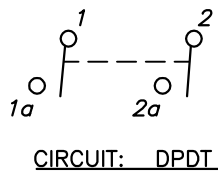


PANEL THICKNESS	X dimension
0.75~1.25 [.030~.049]	30.0±0.2 [1.181]
1.25~2.0 [.049~.079]	30.2±0.2 [1.189]
2.0~3.0 [.079~.118]	30.6±0.2 [1.205]



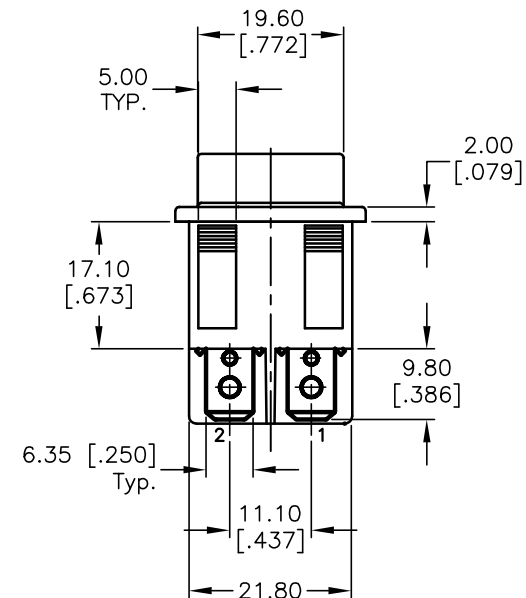
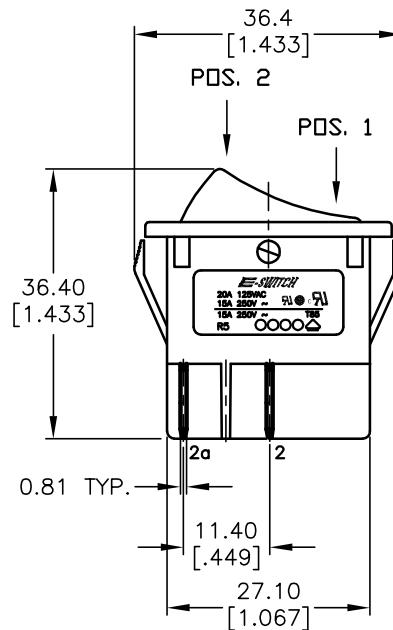
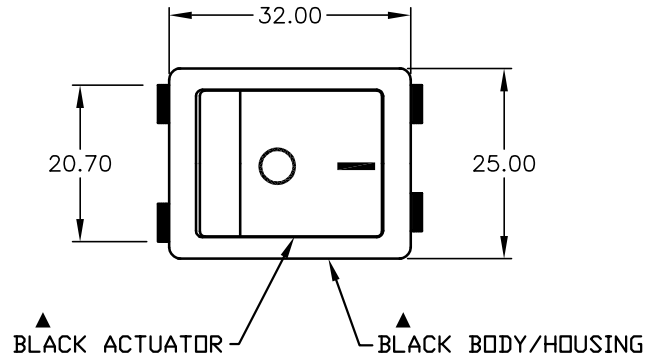
RECOMMENDED PANEL MOUNTING
NOT TO SCALE



SWITCH FUNCTION	
POS. 1	POS. 2
<ON>	OFF
(1-1a)	OPEN
(2-2a)	OPEN

NOTES:

- ALL DIMENSIONS IN MM [INCH]
- GENERAL TOLERANCE: X.X=±0.4
X.XX=±0.25
- TERM. NOS. FOR REF. ONLY
- RATING: 20A @125VAC;
15A @250VAC. (Normal Conditions)
- MATERIAL:
CONTACT SURFACE: Coin Silver, Silver Plated.
TERMINAL: Copper ALLOW w/Silver plate
- ELECTRICAL LIFE: ≥10,000 cycles
- MECHANICAL LIFE: 30,000 cycles
- CONTACT RESISTANCE: <20 mLLI-Ohms initial
- DIELECTRIC STRENGTH: >1,500V AC 1min
>3,000V between poles.



E-SWITCH®

TITLE		R5FBLKBLKFF0		
SCALE	DATE	DR	DWG	REV
1:1	9/8/04	AR	M050241	A

A	14298	RELEASED FOR PRODUCTION	9/8/04	AR
REV.	ECN No.	DESCRIPTION	DATE	CHKD
THE INFORMATION CONTAINED IN THIS DOCUMENT IS PROPRIETARY TO E-SWITCH AND IS NOT TO BE COPIED OR TRANSFERRED				