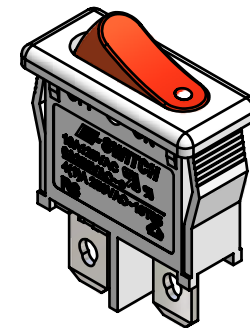
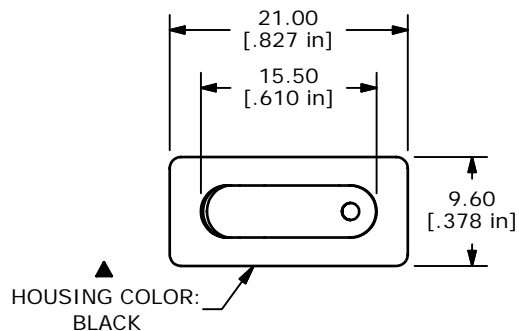
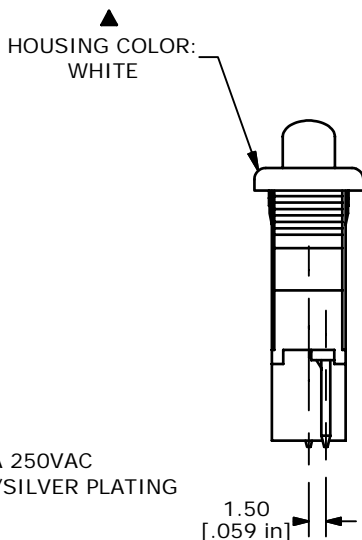
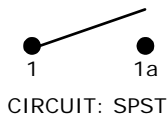
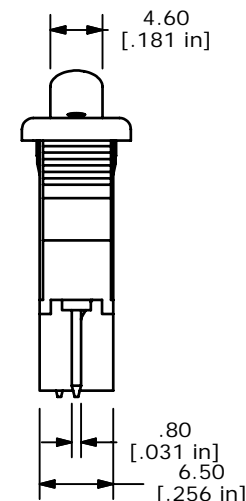
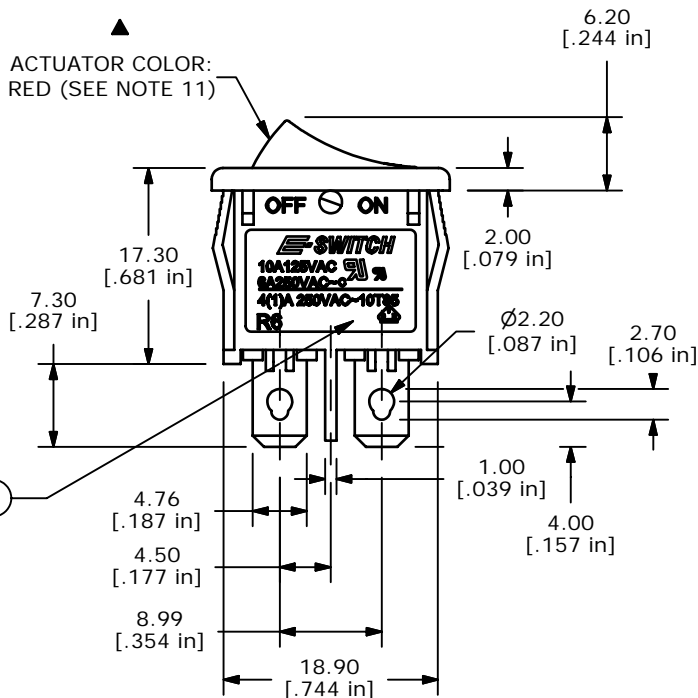


RECOMMENDED P.C.B. PANEL MOUNTING

PANEL THICKNESS	X
0.75-1.25	19.2
1.25-2.00	19.4
2.00-3.00	19.6



ISOMETRIC



NOTES:

1. ALL DIMENSIONS IN MM [INCH]
2. GENERAL TOLERANCE: X.X=± 0.4
X.XX=± 0.25
3. TERM. NOS. FOR REF. ONLY
- ▲ 4. RATING: 4(1)A 250VAC, 10A 125VAC, 6A 250VAC
5. MATERIAL: TERMINAL: COPPER ALLOY W/SILVER PLATING
CONTACTS: COIN SILVER
6. MECHANICAL LIFE: >50,000 CYCLES
7. ELECTRICAL LIFE: >10,000 CYCLES
8. CONTACT RESISTANCE: < 20MEGA-OHMS (INITIAL)
9. INSULATIONS RESISTANCE: > 1000 MEGA-OHMS @500VDC
10. DIELECTRIC STRENGTH: >1500VAC 1 MINUTE (INITIAL)
>3000V BETWEEN POLES
- ▲ 11. ACTUATOR COLOR: RED - PANTONE 186C
12. ▲ DENOTES CRITICAL PARAMETER.
13. 2002/95/EC (ROHS) COMPLIANT (B)



B	15821	CHANGES NOTED	2/27/06	PH
A	14965	RELEASED FOR PRODUCTION	5/31/05	JB
REV	PCR NO	DESCRIPTION	DATE	BY

TITLE R6AWHTREDAF				
SCALE	DATE	DR	DWG	REV
1.5:1	5/31/2005	JB	M060317	B

THE INFORMATION CONTAINED IN THIS DOCUMENT IS PROPRIETARY TO E-SWITCH AND IS NOT TO BE COPIED OR TRANSFERRED