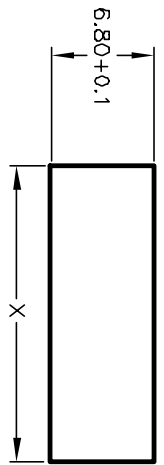
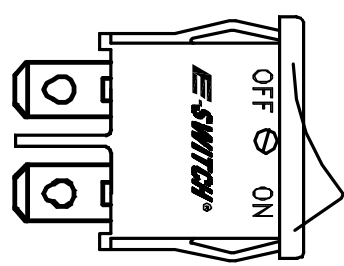
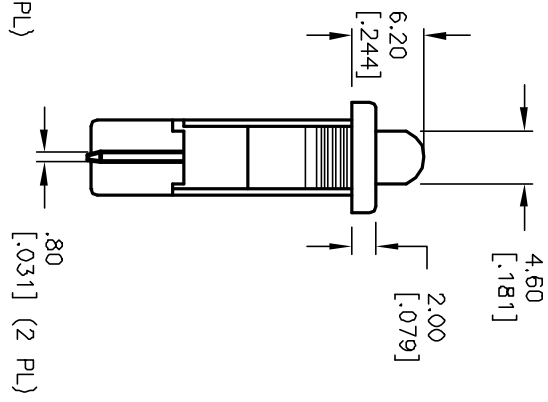
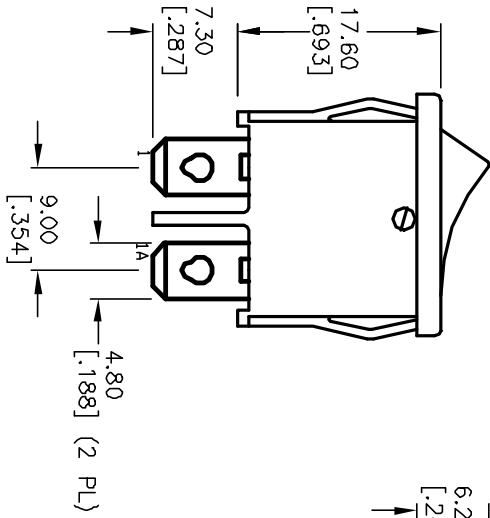
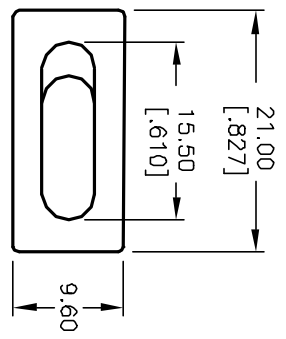


PANEL THICKNESS	X dimension
0.75-1.25 [0.30-0.49]	19.2-01 [7.56]
1.25-2.0 [0.49-0.79]	19.4-01 [7.64]
2.0-3.0 [0.79-1.18]	19.8-01 [7.80]



PANEL CUTOUT
NOT TO SCALE

SWITCH FUNCTION	POS. 1	POS. 2
<DN>	DN	OFF
1-1a	OPEN	

< >=Momentary



CIRCUIT: SPST

NOTES:

1. ALL DIMENSIONS IN MM
2. GENERAL TOLERANCE: X.X=±0.4; X.XX=±0.25
3. TERMINAL NUMBERS FOR REF ONLY
4. RATING: 4(1)A @250VAC, 6A @250VAC
10A @125VAC
5. MATERIALS: TERMINALS: COPPER ALLOY W/SILVER PLATING
CONTACTS: COIN SILVER
6. MECHANICAL LIFE: >50,000 CYCLES
7. ELECTRICAL LIFE: >10,000 CYCLES
8. CONTACT RESISTANCE: < 20 milli-OHMS (INITIAL)
9. INSULATION RESISTANCE: > 1000 MEGA-OHMS @ 500VDC
10. DIELECTRIC STRENGTH: >1500VAC 1 MINUTE (INITIAL)
>3000V BETWEEN POLES

- ▲ 11. HOUSING & ACTUATOR COLOR:
HOUSING: BLACK
ACTUATOR: RED

E-SWITCH®

R6B BLK RED E F

REV.	ECN No.	DESCRIPTION	DATE	CHKD
A	12435	RELEASED FOR PRODUCTION	9/19/02	CJB

TITLE	SCALE	DATE	DR	DWG	REV
R6B BLK RED E F	1.5:1	9/19/02	CJB	M060353	A

THE INFORMATION CONTAINED IN THIS DOCUMENT IS PROPRIETARY TO E-SWITCH AND IS NOT TO BE COPIED OR TRANSFERRED