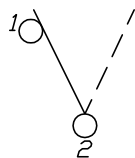


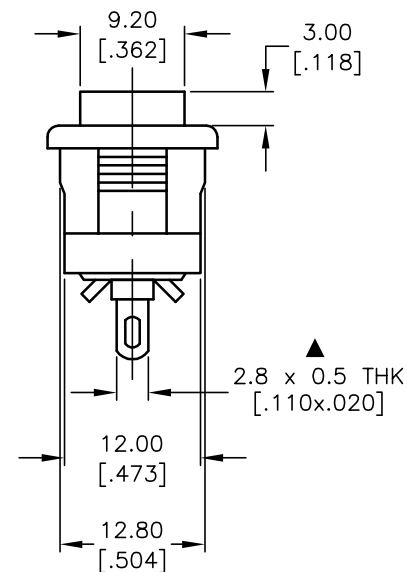
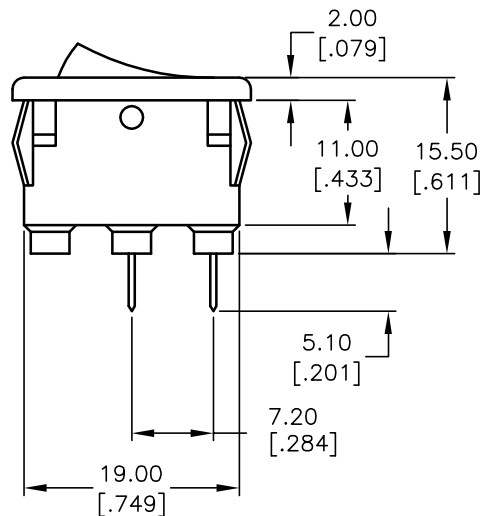
SUGGESTED PANEL CUTOUT

PANEL THICKNESS	X
0.75-1.25 (.030-.049)	19.2 (.756)
1.25-2.0 (.049-.079)	19.4 (.764)



CIRCUIT: SPST

CONTACT CONFIGURATION



NOTES:

1. ALL DIMENSIONS IN MM
2. GENERAL TOLERANCE: X.X=±0.4
X.XX=±0.25
3. TERM. NOS. FOR REFERENCE ONLY.
- ▲ 4. RATING: 10A 125VAC/5A 250VAC
5. CONTACTS: SILVER PLATED COPPER ALLOY
6. ▲ DENOTES CRITICAL PARAMETER.

REV.	ECN No.	DESCRIPTION	DATE	CHKD
B	14344	REVERSE GRAPHIC	9/23/04	AR
A	13296	RELEASED FOR PRODUCTION	7/16/03	AR

THE INFORMATION CONTAINED IN THIS DOCUMENT IS PROPRIETARY TO E-SWITCH AND IS NOT TO BE COPIED OR TRANSFERRED

E-SWITCH®

TITLE RA1066ASF

SCALE 1.5:1	DATE 7/16/03	DR AR	DWG P300206	REV B
-------------	--------------	-------	-------------	-------