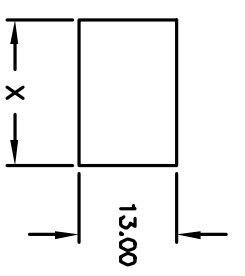
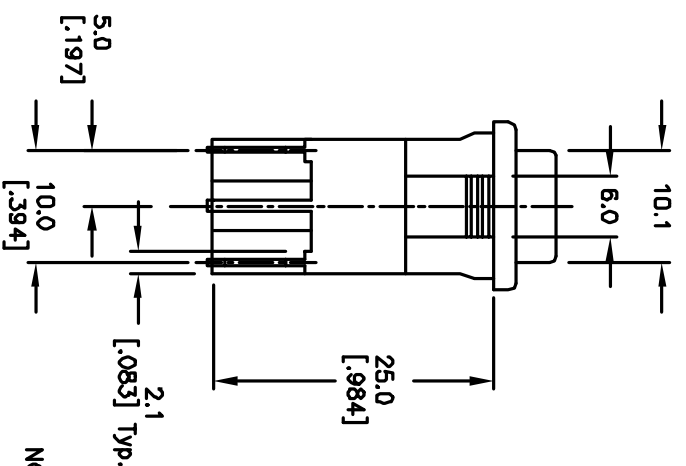
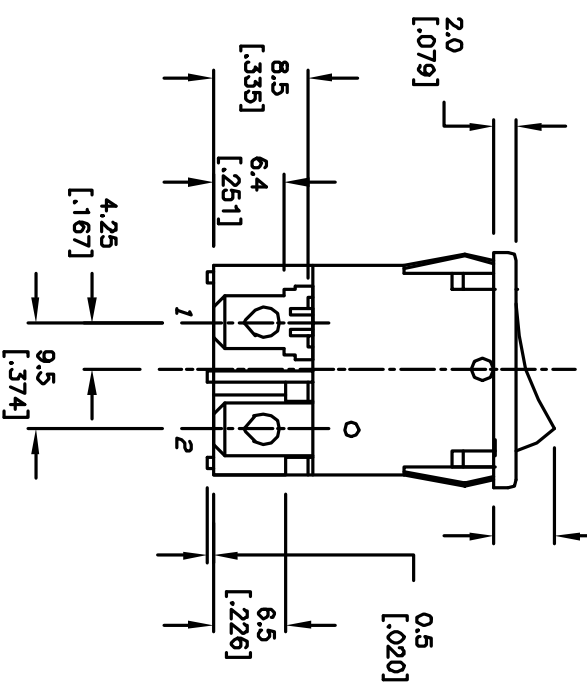


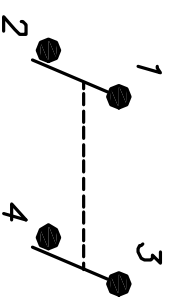
MARKING "L"



RECOMMENDED PANEL MOUNTING

NOT TO SCALE

| PANEL THICKNESS | X |
|-------------------------|-------------|
| 0.75-1.25 (0.030-0.049) | 19.2 (7.56) |
| 1.25-2.0 (0.049-0.079) | 19.4 (7.64) |



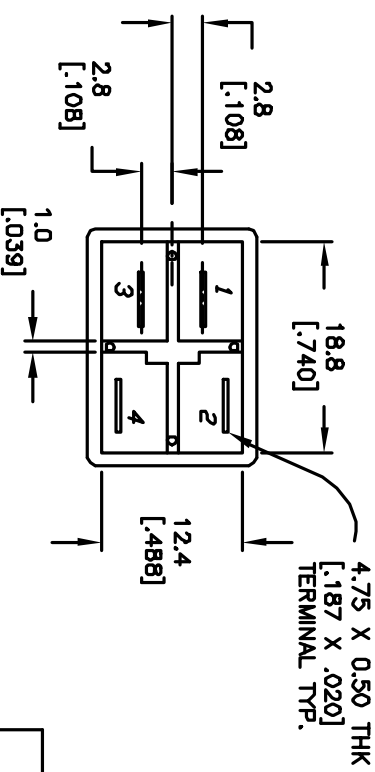
CIRCUIT: DPST

NOTES:

1. ALL DIMENSIONS IN MM [INCH]
2. GENERAL TOLERANCE: X.X=±0.4
X.XX=±0.25
3. TERM. NDS. FOR REF. ONLY
4. RATING: AC 125V 12A, AC 250V 8A
5. MECHANICAL LIFE: 15,000 cycles
6. ELECTRICAL LIFE: 10,000 cycles
7. CONTACT RESISTANCE: 10mILLI-Ohms
8. INSULATION RESISTANCE: >1000Mega-Ohms
9. DIELECTRIC STRENGTH: 1,500 Volts for 1min.
3,000 Volts between poles
10. OPERATING TEMP: -30°C to 85°C
11. HOUSING/ACTUATOR COLOR: BLACK
12. SEE DESIGNATED ROCKER MARKING
13. ▲ DESIGNATE CRITICAL PARAMETER:

E-SWITCH®

RC1083B BLK BLK LF



4.75 X 0.50 THK
[0.187 X 0.020]
TERMINAL TYP.

| REV. | ECN NO. | DESCRIPTION | DATE | CHKD |
|------|---------|--------------------------|---------|------|
| B | 12538 | REVISED PART DESCRIPTION | 11/7/02 | CB |

| TITLE | SCALE | DATE | DR | JWG | REV |
|--------------------|-------|---------|----|---------|-----|
| RC1083B BLK BLK LF | 1.5/1 | 11/5/02 | CB | P301502 | B |

THE INFORMATION CONTAINED IN THIS DOCUMENT IS PROPRIETARY TO E-SWITCH AND IS NOT TO BE COPIED OR TRANSMITTED