

Curvette R/RSC-Series Single Pole Rocker and Paddle Switches



Since its introduction, the Curvette switch has become the barometer for versatility and performance in the miniature switch market. Self cleaning contacts, International approvals, along with a wide variety of circuits, ratings, and actuator options makes the Curvette the switch of choice for many markets including Appliance, HVAC, Office Lighting, Transportation, Commercial Food and Lawn and Garden.

Dielectric Strength

UL/CSA:

1000V - live to dead metal parts

VDE:

4000V - live to dead metal parts;

750V - across open contacts

Electrical Life

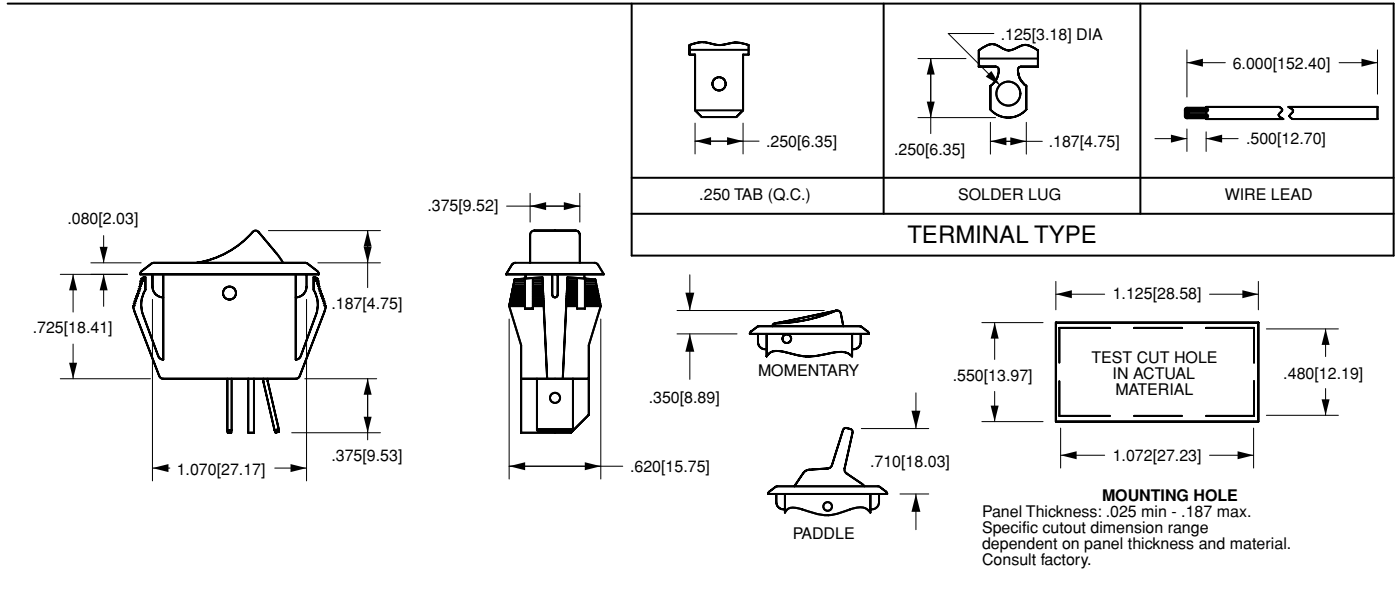
100,000 cycles

Mechanical Life

100,000 cycles

Operating Temperature

32°F to 185°F (0°C to 85°C)



1 Base Part Number 2 Actuator Style 3 Actuator Color 4 Bezel Color/Style 5 Rocker Legend 6 Visi-Rocker End/Legend Color

1 BASE PART NUMBER: SERIES/CIRCUITRY/RATING/TERMINATION
10A 250 VAC; 16A 125 VAC; 3/4 HP 125-250 VAC; 10(4) A 250 VACu T85

	Solder Lugs	.250 Tabs	Wire Leads
OFF-NONE-ON	RA900	RA901	RA905
ON-NONE-ON	RB900	RB901	RB905
ON-OFF-ON ³	RC910	RC911	RC915
OFF-NONE-(ON) ²	RD220	RD221	RD225

15A 250 VAC; 20A 125 VAC; 3/4 HP 125-250 VAC

	Solder Lugs	.250 Tabs
OFF-NONE-ON	RSCA200	RSCA201
ON-NONE-ON	RSCB200	RSCB201

5 ROCKER LEGEND

	molded in	hot stamp
NO LEGEND	0	0
OFF-ON vertical	1	A
OFF-ON horizontal	2	B
I-O horizontal	8	D
I-O vertical	9	F
dual OFF-ON I-O	-	H

2 ACTUATOR STYLE

M	momentary rocker	R	rocker
P	paddle	V	visi-rocker (2 color)

3 ACTUATOR COLOR

B	black	W	white
---	-------	---	-------

4 BEZEL COLOR/STYLE

STANDARD		OVAL	
B	black	1	black
W	white	2	white

6 VISI-ROCKER END/LEGEND COLOR

N	n/a
B	black
V	visi-red
W	white

NOTES
PC Terminals also available, consult factory for details.
1 For additional ratings, consult factory.
2 Rating is 8A 250 VAC, 12A 125 VAC, 1/2 HP 125-250 VAC, and must specify M actuator style.
3 Not rated at 3/4 HP 125-250 VAC
() indicates momentary function.