

RGSC-Series



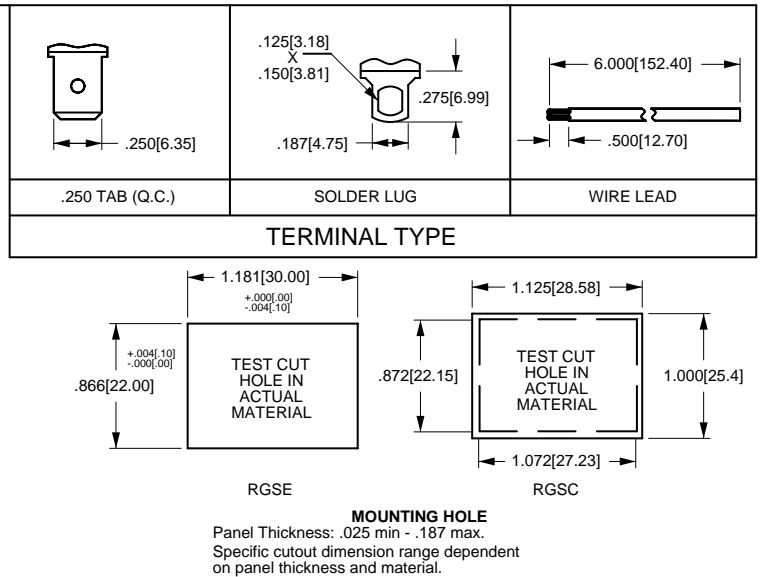
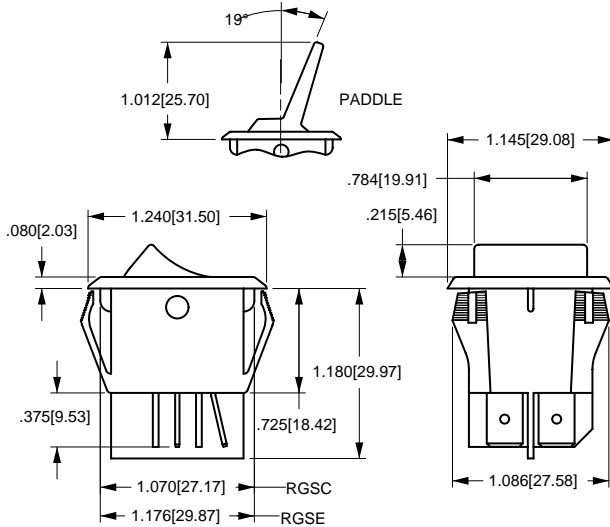
The RGSC-Series Super Corvette rocker switches offer the Corvette styling in a double pole construction with higher electrical ratings and high inrush capabilities. These switches can handle up to 125 amp peak inrush current and can accommodate a wide range of panel cutouts due to the patented mounting ear construction. International ratings are available up to 20 amps.

Specifications

- Certifications*: UL, CSA, VDE
- Dielectric Strength: 1,000V (minimum)
- Insulation Resistance: 100 Megohms (minimum)
- Base Material: Nylon
- Actuator Material: Nylon

* Due to ongoing technological advances, consult factory for certification specifics.

Dimensional Specifications: in. [mm]



RGSC

SERIES

RGSC	STANDARD BASE
RGSB	METAL BRACKET
RGSE	EUROPEAN BASE

C

CIRCUIT¹

A	OFF-NONE-ON SINGLE POLE
B	ON-NONE-ON SINGLE POLE
C	OFF-NONE-ON DOUBLE POLE
D	ON-NONE-ON DOUBLE POLE
E	POLE 1 ON-NONE-ON POLE 2 OFF-NONE-ON
F	POLE 1 ON-NONE-OFF POLE 2 OFF-NONE-ON

70

RATING²

20	15A 250VAC 20A 125VAC
21	15A 250 VAC 3/4HP 125-250VAC
57	10A 250VAC 3/4HP 15A 125VAC 3/4HP 6A 277VAC 3/4HP
70	15A 250VAC 20A 125VAC 3/4HP 125-250VAC 16(6)A 250VAC T85
71	15A 250VAC 20A 125VAC 16(6)A 250VAC T85

TERMINATION

0	SOLDER LUG
1	.250TAB (QC)
5	WIRE LEAD

1

RATING²

20	15A 250VAC 20A 125VAC
21	15A 250 VAC 3/4HP 125-250VAC
57	10A 250VAC 3/4HP 15A 125VAC 3/4HP 6A 277VAC 3/4HP
70	15A 250VAC 20A 125VAC 3/4HP 125-250VAC 16(6)A 250VAC T85
71	15A 250VAC 20A 125VAC 16(6)A 250VAC T85

TERMINATION

0	SOLDER LUG
1	.250TAB (QC)
5	WIRE LEAD

-

RATING²

20	15A 250VAC 20A 125VAC
21	15A 250 VAC 3/4HP 125-250VAC
57	10A 250VAC 3/4HP 15A 125VAC 3/4HP 6A 277VAC 3/4HP
70	15A 250VAC 20A 125VAC 3/4HP 125-250VAC 16(6)A 250VAC T85
71	15A 250VAC 20A 125VAC 16(6)A 250VAC T85

TERMINATION

0	SOLDER LUG
1	.250TAB (QC)
5	WIRE LEAD

-

RATING²

20	15A 250VAC 20A 125VAC
21	15A 250 VAC 3/4HP 125-250VAC
57	10A 250VAC 3/4HP 15A 125VAC 3/4HP 6A 277VAC 3/4HP
70	15A 250VAC 20A 125VAC 3/4HP 125-250VAC 16(6)A 250VAC T85
71	15A 250VAC 20A 125VAC 16(6)A 250VAC T85

TERMINATION

0	SOLDER LUG
1	.250TAB (QC)
5	WIRE LEAD

-

RATING²

20	15A 250VAC 20A 125VAC
21	15A 250 VAC 3/4HP 125-250VAC
57	10A 250VAC 3/4HP 15A 125VAC 3/4HP 6A 277VAC 3/4HP
70	15A 250VAC 20A 125VAC 3/4HP 125-250VAC 16(6)A 250VAC T85
71	15A 250VAC 20A 125VAC 16(6)A 250VAC T85

TERMINATION

0	SOLDER LUG
1	.250TAB (QC)
5	WIRE LEAD

-

RATING²

20	15A 250VAC 20A 125VAC
21	15A 250 VAC 3/4HP 125-250VAC
57	10A 250VAC 3/4HP 15A 125VAC 3/4HP 6A 277VAC 3/4HP
70	15A 250VAC 20A 125VAC 3/4HP 125-250VAC 16(6)A 250VAC T85
71	15A 250VAC 20A 125VAC 16(6)A 250VAC T85

TERMINATION

0	SOLDER LUG
1	.250TAB (QC)
5	WIRE LEAD

-

RATING²

20	15A 250VAC 20A 125VAC
21	15A 250 VAC 3/4HP 125-250VAC
57	10A 250VAC 3/4HP 15A 125VAC 3/4HP 6A 277VAC 3/4HP
70	15A 250VAC 20A 125VAC 3/4HP 125-250VAC 16(6)A 250VAC T85
71	15A 250VAC 20A 125VAC 16(6)A 250VAC T85

TERMINATION

0	SOLDER LUG
1	.250TAB (QC)
5	WIRE LEAD

-

RATING²

20	15A 250VAC 20A 125VAC
21	15A 250 VAC 3/4HP 125-250VAC
57	10A 250VAC 3/4HP 15A 125VAC 3/4HP 6A 277VAC 3/4HP
70	15A 250VAC 20A 125VAC 3/4HP 125-250VAC 16(6)A 250VAC T85
71	15A 250VAC 20A 125VAC 16(6)A 250VAC T85

TERMINATION

0	SOLDER LUG
1	.250TAB (QC)
5	WIRE LEAD

-

RATING²

20	15A 250VAC 20A 125VAC
21	15A 250 VAC 3/4HP 125-250VAC
57	10A 250VAC 3/4HP 15A 125VAC 3/4HP 6A 277VAC 3/4HP
70	15A 250VAC 20A 125VAC 3/4HP 125-250VAC 16(6)A 250VAC T85
71	15A 250VAC 20A 125VAC 16(6)A 250VAC T85

TERMINATION

0	SOLDER LUG
1	.250TAB (QC)
5	WIRE LEAD

-

RATING²

20	15A 250VAC 20A 125VAC
21	15A 250 VAC 3/4HP 125-250VAC
57	10A 250VAC 3/4HP 15A 125VAC 3/4HP 6A 277VAC 3/4HP
70	15A 250VAC 20A 125VAC 3/4HP 125-250VAC 16(6)A 250VAC T85
71	15A 250VAC 20A 125VAC 16(6)A 250VAC T85

TERMINATION

0	SOLDER LUG
1	.250TAB (QC)
5	WIRE LEAD

-

RATING²

20	15A 250VAC 20A 125VAC
21	15A 250 VAC 3/4HP 125-250VAC
57	10A 250VAC 3/4HP 15A 125VAC 3/4HP 6A 277VAC 3/4HP
70	15A 250VAC 20A 125VAC 3/4HP 125-250VAC 16(6)A 250VAC T85
71	15A 250VAC 20A 125VAC 16(6)A 250VAC T85

TERMINATION

0	SOLDER LUG
1	.250TAB (QC)
5	WIRE LEAD

-

RATING²

20	15A 250VAC 20A 125VAC
21	15A 250 VAC 3/4HP 125-250VAC
57	10A 250VAC 3/4HP 15A 125VAC 3/4HP 6A 277VAC 3/4HP
70	15A 250VAC 20A 125VAC 3/4HP 125-250VAC 16(6)A 250VAC T85
71	15A 250VAC 20A 125VAC 16(6)A 250VAC T85

TERMINATION

0	SOLDER LUG
1	.250TAB (QC)
5	WIRE LEAD

-

RATING²

20	15A 250VAC 20A 125VAC
21	15A 250 VAC 3/4HP 125-250VAC
57	10A 250VAC 3/4HP 15A 125VAC 3/4HP 6A 277VAC 3/4HP
70	15A 250VAC 20A 125VAC 3/4HP 125-250VAC 16(6)A 250VAC T85
71	15A 250VAC 20A 125VAC 16(6)A 250VAC T85

TERMINATION

0	SOLDER LUG
1	.250TAB (QC)
5	WIRE LEAD

-

RATING²

20	15A 250VAC 20A 125VAC
21	15A 250 VAC 3/4HP 125-250VAC
57	10A 250VAC 3/4HP 15A 125VAC 3/4HP 6A 277VAC 3/4HP
70	15A 250VAC 20A 125VAC 3/4HP 125-250VAC 16(6)A 250VAC T85
71	15A 250VAC 20A 125VAC 16(6)A 250VAC T85

TERMINATION

0	SOLDER LUG
1	.250TAB (QC)
5	WIRE LEAD

-

RATING²

20	15A 250VAC 20A 125VAC
21	15A 250 VAC 3/4HP 125-250VAC
57	10A 250VAC 3/4HP 15A 125VAC 3/4HP 6A 277VAC 3/4HP
70	15A 250VAC 20A 125VAC 3/4HP 125-250VAC 16(6)A 250VAC T85
71	15A 250VAC 20A 125VAC 16(6)A 250VAC T85

TERMINATION

0	SOLDER LUG
1	.250TAB (QC)
5	WIRE LEAD

-

RATING²

20	15A 250VAC 20A 125VAC
21	15A 250 VAC 3/4HP 125-250VAC
57	10A 250VAC 3/4HP 15A 125VAC 3/4HP 6A 277VAC 3/4HP
70	15A 250VAC 20A 125VAC 3/4HP 125-250VAC 16(6)A 250VAC T85
71	15A 250VAC 20A 125VAC 16(6)A 250VAC T85

TERMINATION

0	SOLDER LUG
1	.250TAB (QC)
5	WIRE LEAD

-

RATING²

20	15A 250VAC 20A 125VAC
21	15A 250 VAC 3/4HP 125-250VAC
57	10A 250VAC 3/4HP 15A 125VAC 3/4HP 6A 277VAC 3/4HP
70	15A 250VAC 20A 125VAC 3/4HP 125-250VAC 16(6)A 250VAC T85
71	15A 250VAC 20A 125VAC 16(6)A 250VAC T85

TERMINATION

0	SOLDER LUG
1	.250TAB (QC)
5	WIRE LEAD

-

RATING²

20	15A 250VAC 20A 125VAC
21	15A 250 VAC 3/4HP 125-250VAC
57	10A 250VAC 3/4HP 15A 125VAC 3/4HP 6A 277VAC 3/4HP
70	15A 250VAC 20A 125VAC 3/4HP 125-250VAC 16(6)A 250VAC T85
71	15A 250VAC 20A 125VAC 16(6)A 250VAC T85

TERMINATION

0	SOLDER LUG
1	.250TAB (QC)
5	WIRE LEAD

-

RATING²

20	15A 250VAC 20A 125VAC
21	15A 25