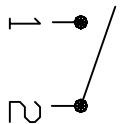
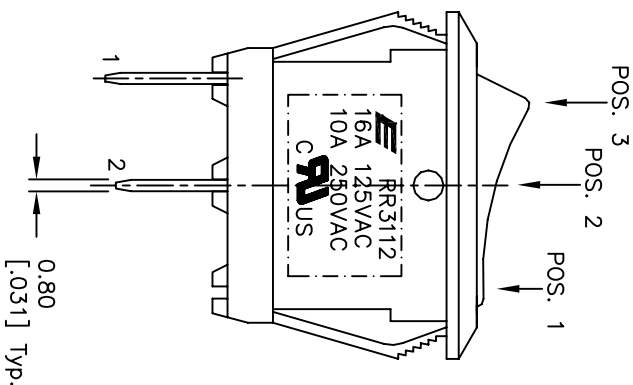
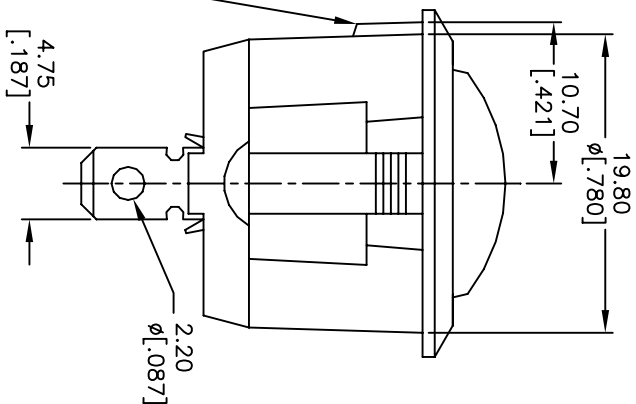
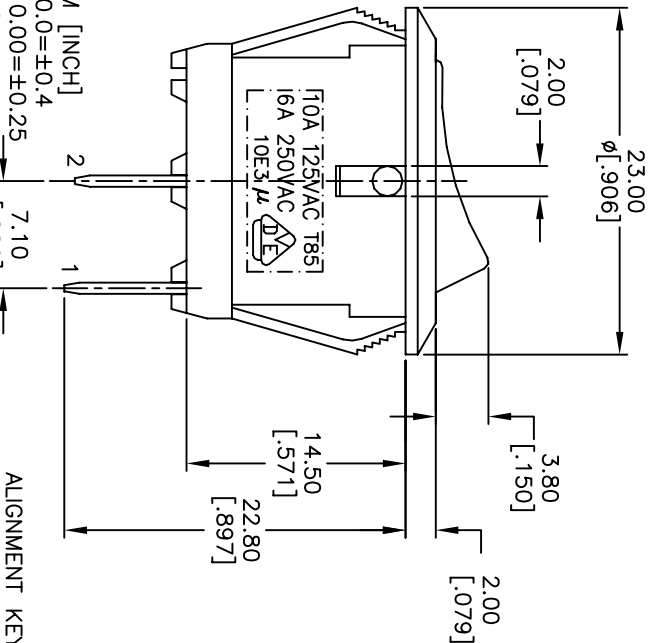
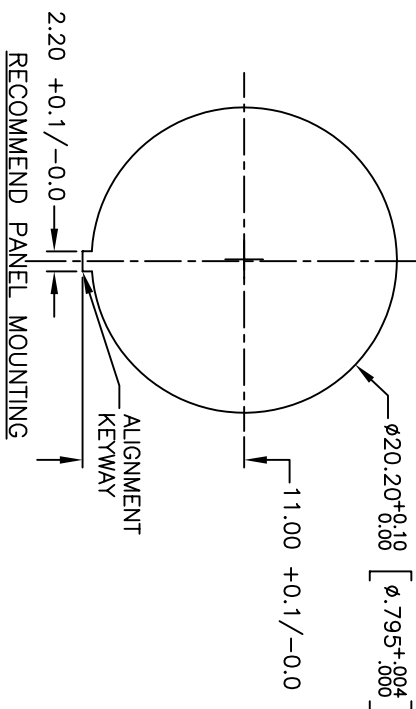


CIRCUIT: 2P, SPDI  
CONTACT CONFIGURATION  
ON-OFF



SWITCH FUNCTION	POS. 1	POS. 2
ON	OFF	OFF
1-2	OPEN	OPEN



- NOTES:
1. ALL DIMENSIONS IN MM [INCH]
  2. GENERAL TOLERANCE: 0.0  $\pm 0.4$
  3. TERM. NOS. FOR REF. ONLY
  4. RATING: 16A, 125VAC, 10A, 250VAC UL&CUL APPROVED  
10A 125VAC, 6A 250V AC VDE APPROVED
  5. CONTACT RESISTANCE: 50m ohm max.
  6. INSULATION RESISTANCE: DC 500V 100M ohm min.
  7. DIELECTRIC STRENGTHS: AC 1500V 1 minute
  8. OPERATING TEMP.: 0°C to 85°C
  9. ▲ DENOTES CRITICAL PARAMETER.
  10. 2002/95/EC (ROHS) COMPLIANT

REV.	ECN No.	DESCRIPTION	DATE	CHKD
B	16970	ADDED ROHS NOTE	2/6/07	TN
A	14002	RELEASED FOR PRODUCTION	5/13/04	AR

TITLE		DATE		DR		DWG		REV	
RR3112ABLKBLKNEFD		2/6/2007		TN		F130421		B	
SCALE		DATE		DR		DWG		REV	
2:1		2/6/2007		TN		F130421		B	

**E-SWITCH**

THE INFORMATION CONTAINED IN THIS DOCUMENT IS PROPRIETARY TO E-SWITCH AND IS NOT TO BE COPIED OR TRANSMITTED