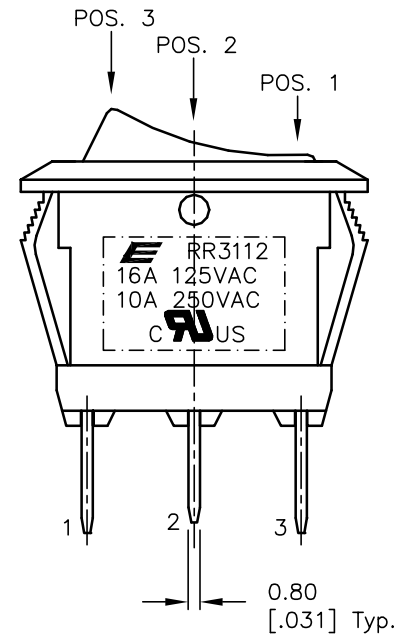
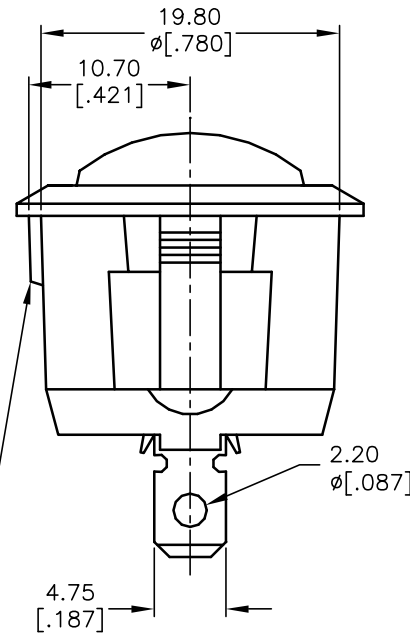
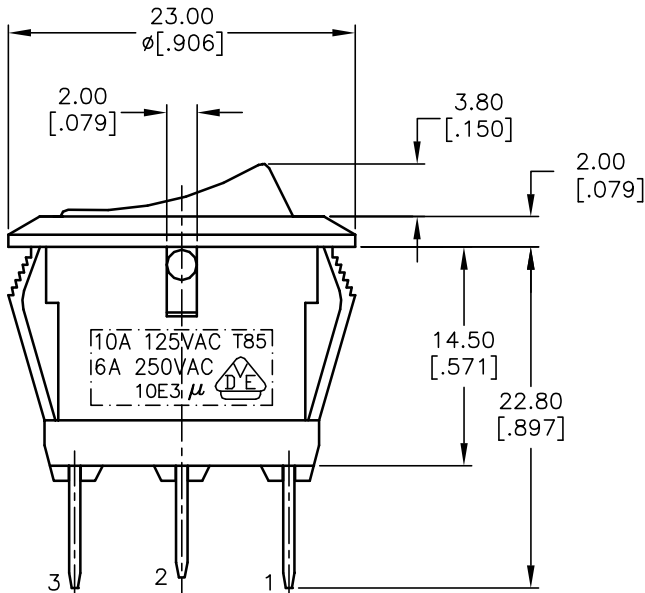
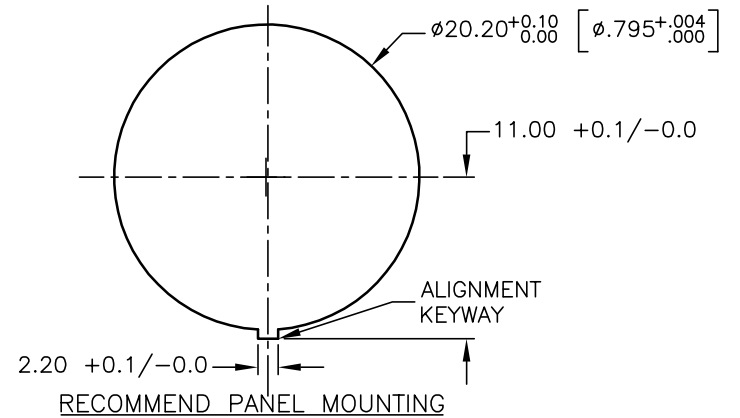


SWITCH FUNCTION		
POS. 1	POS. 2	POS. 3
ON	OFF	ON
1-2	OPEN	2-3



NOTES:

1. ALL DIMENSIONS IN MM [INCH]
2. GENERAL TOLERANCE: 0.0±0.4
0.00±0.25
3. TERM. NOS. FOR REF. ONLY
4. RATING: 16A, 125VAC, 10A, 250VAC UL&CUL APPROVED
10A 125VAC, 6A 250V AC VDE APPROVED
5. CONTACT RESISTANCE: 50m ohm max.
6. INSULATION RESISTANCE: DC 500V 100M ohm min.
7. DIELECTRIC STRENGTHS: AC 1500V 1 minute
8. OPERATING TEMP.: 0°C to 85°C
9. ▲ DENOTES CRITICAL PARAMETER.

B	13813	UPDATE PART AND NOTES	3/2/04	AR
A	11712	RELEASED FOR PRODUCTION	10/05/01	CJC
REV.	ECN No.	DESCRIPTION	DATE	CHKD

THE INFORMATION CONTAINED IN THIS DOCUMENT IS PROPRIETARY TO E-SWITCH AND IS NOT TO BE COPIED OR TRANSFERRED

E-SWITCH®				
TITLE RR3112DBLKBLKNEFD				
SCALE	DATE	DR	DWG	REV
2:1	10/05/01	CJC	F130413	B