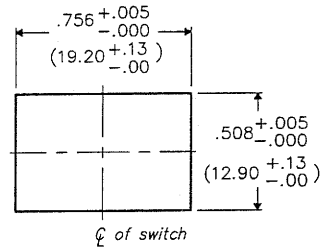
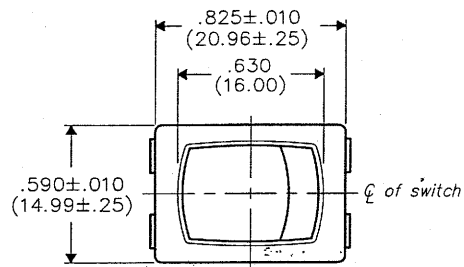


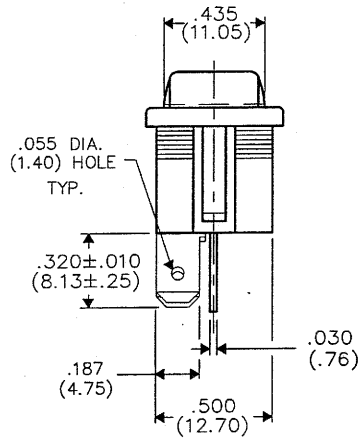
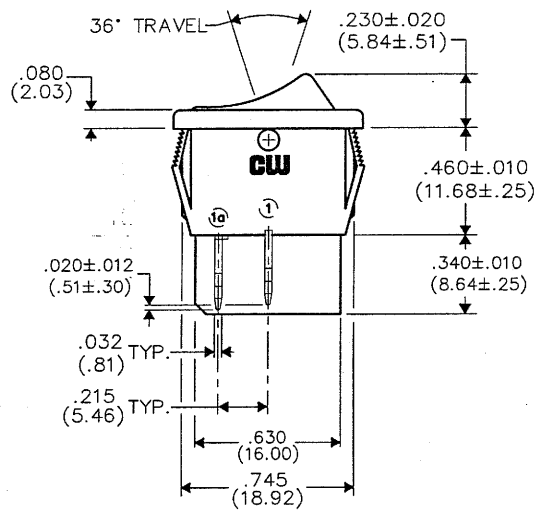
DIMENSIONS IN INCHES (MILLIMETERS)  
DO NOT SCALE DRAWING .....

Dwg. No.

GRS-4011-0040



**PANEL PIERCING**



E  
D  
C  
B  
A

1 2 3 4 5 6 7 8 9 10

B-FORMAT 2002	REVISIONS	0
	RELEASED DGW	APR 09 2007

PDF FILE MADE	<b>CW INDUSTRIES</b> Southampton, Pa. 18966	Title: <b>ROCKER SWITCH ASSEMBLY S.P./S.T.</b>
	TOLERANCES UNLESS OTHERWISE SPECIFIED	
	2 Place Decimal ±.010 3 Place Decimal ±.005 Angles ..... ±1°	METRIC 1 Place Dec. ±.25mm 2 Place Dec. ±.13mm
	Made for: CW IND.	Division: <b>SWITCH</b>
	Drawn by: DGW 4-02-2007	Dwg. No. <b>GRS-4011-0040</b>
	Checked by: <i>G. Guld 4-4-07</i>	
	Approval: <i>C. Hamon 4/9/07</i>	

**MASTER**