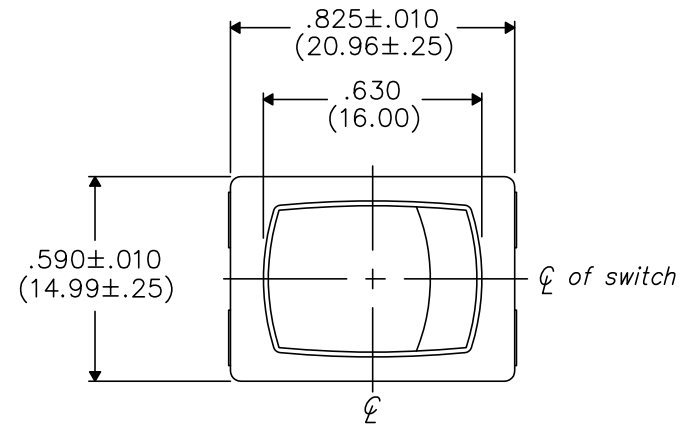
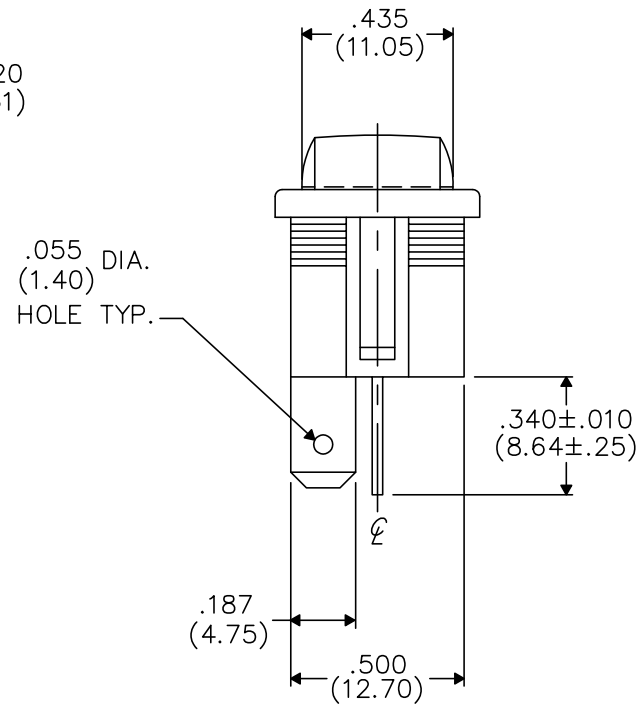
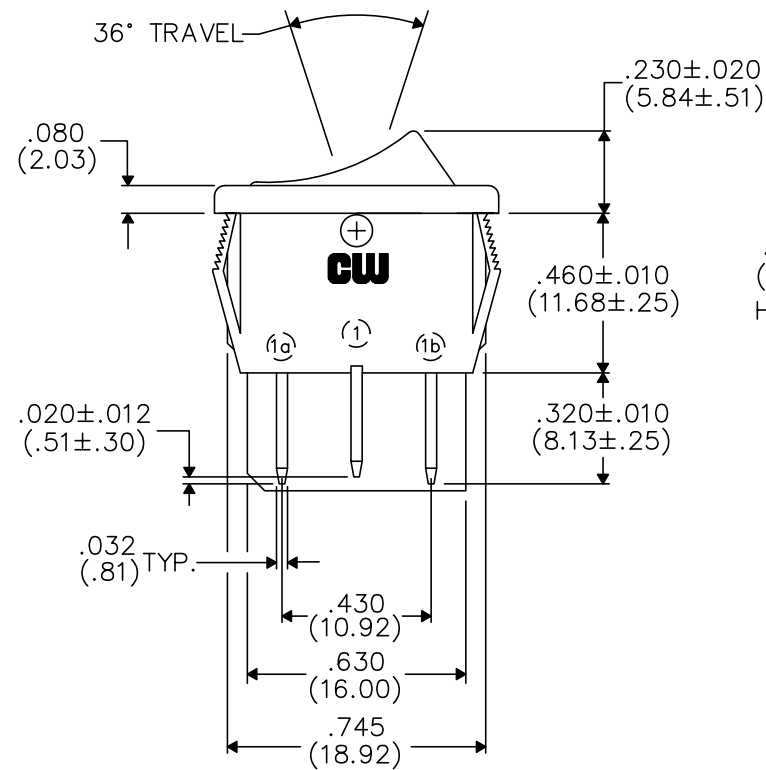
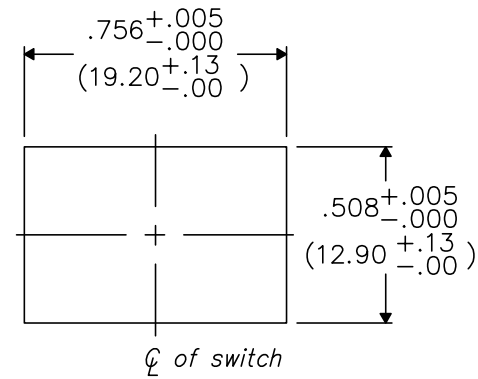


DIMENSIONS IN INCHES (MILLIMETERS)  
DO NOT SCALE DRAWING .....

Dwg. No.  
GRS-4012-1600



PANEL PIERCING






MATERIAL:  
ROCKER KNOB- Nylon 94V-2  
HOUSING- Nylon 94V-2  
TERMINAL/STATIONARY/MOVING CONTACT- Copper alloy, and/or copper alloy silver plated.  
SPRING- music wire  
PLUNGER- plated steel

PERFORMANCE STANDARDS-  
Endurance- 100,000 cycles, no load, minimum  
25,000 cycles at rated load minimum up to 16A 125 VAC  
10,000 cycles at rated load minimum at 16A 250 VAC  
Contact Resistance- less than .01 Ohm at 10 mA (initial)  
Operating Temperature- 105° C maximum  
High Voltage Dielectric Withstanding Voltage- 2,500 V, 60 Hz for 1 minute between mounting surface and circuit connections

HUMIDITY- Insulation resistance > 10<sup>3</sup> MOhms after 100 hours at 95% R.H. and 50° C followed by 1 hour dry at ambient room conditions

ELECTRICAL RATING-  
16A 125-250VAC , 10A 14V (T)  
3/4 H.P. 125-250VAC , 3A 125V (L)  
10(4) 250 ~ μ

LISTING AGENCIES-  ,  , 

FORM-B4

REVISIONS

0	RELEASED.
SPR 8-28-91	
RBK 8-30-91	

**CW** INDUSTRIES  
Southampton, Pa. 18966

TOLERANCES UNLESS OTHERWISE SPECIFIED	
2 Place Decimal ±.010	METRIC
3 Place Decimal ±.005	1 Place Dec. ±.25mm
Angles ..... ±1°	2 Place Dec. ±.13mm

Made for:	CW IND.
Drawn by:	SPR 8-28-91
Checked by:	RBK 8-28-91
Approval:	RBK 8-28-91

Title: **ROCKER SWIDGET ASSEMBLY (POP-IN) S.P.-D.T.**

Division: SWITCH  
Dwg. No. GRS-4012-1600