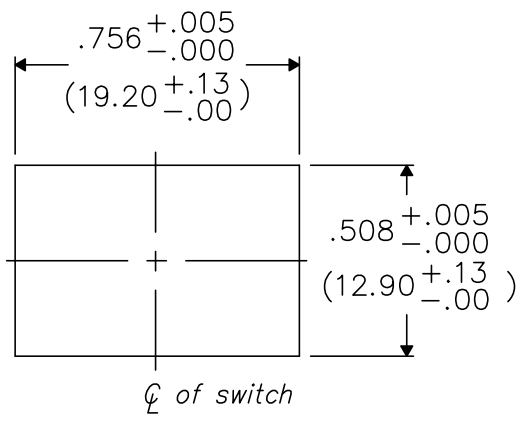
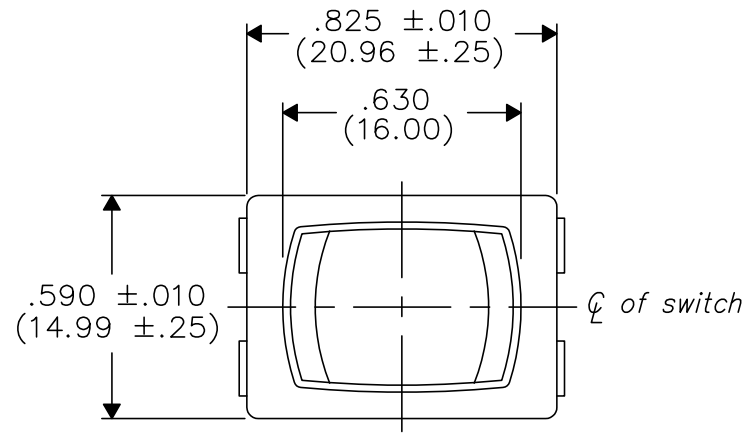
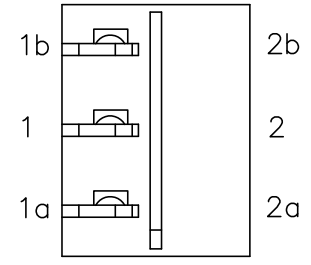


DIMENSIONS IN INCHES (MILLIMETERS)
DO NOT SCALE DRAWING

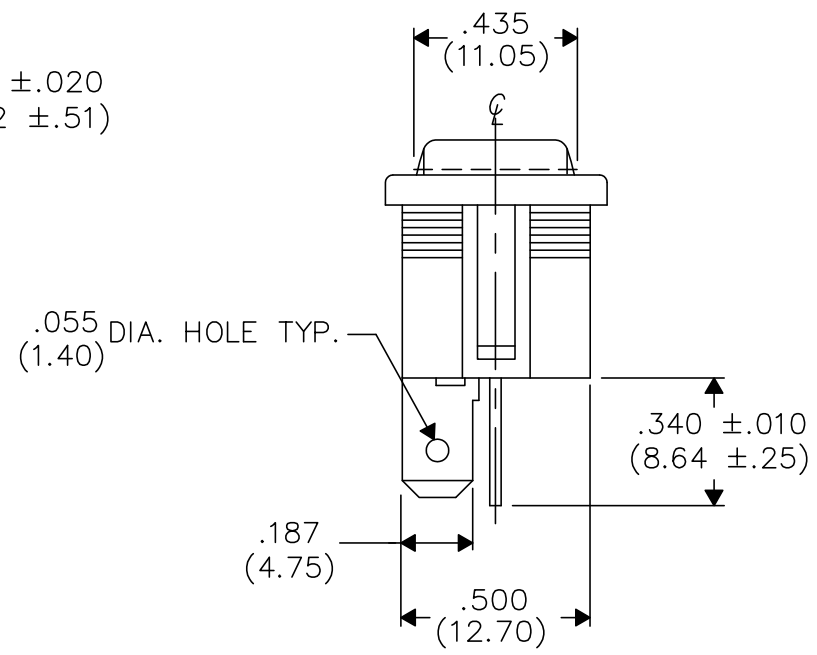
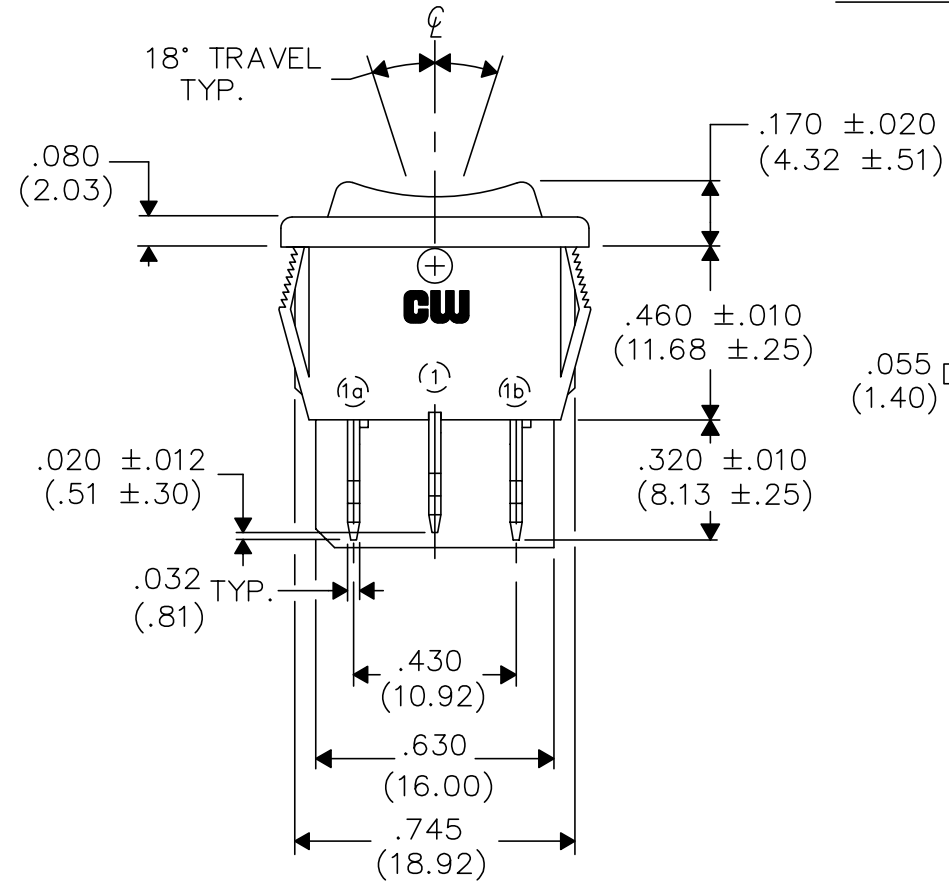
Dwg. No.
GRS-4013A-1300



PANEL PIERCING



BOTTOM VIEW



1 2 3 4 5 6 7 8 9 10

B-FORMAT 2002
REVISIONS
O
RELEASED.
DGW 1-30-2002
1-31-02

CW INDUSTRIES
Southampton, Pa. 18966
TOLERANCES UNLESS OTHERWISE SPECIFIED
2 Place Decimal ±.010 METRIC
3 Place Decimal ±.005 1 Place Dec. ±.25mm
Angles ±1' 2 Place Dec. ±.13mm
Made for: CW IND.
Drawn by: DGW 1-30-2002
Checked by: GG 1-31-02
Approval: BF 1-31-02

Title: ASSEMBLY
ROCKER SWIDGET
S.P.- CENTER OFF
Division: SWITCH
Dwg. No. GRS-4013A-1300

PDF FILE MADE (QRO)