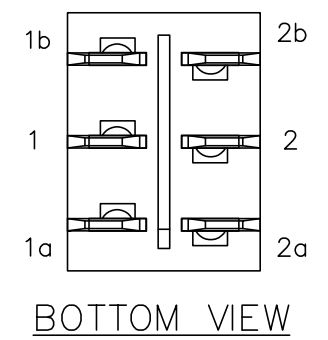
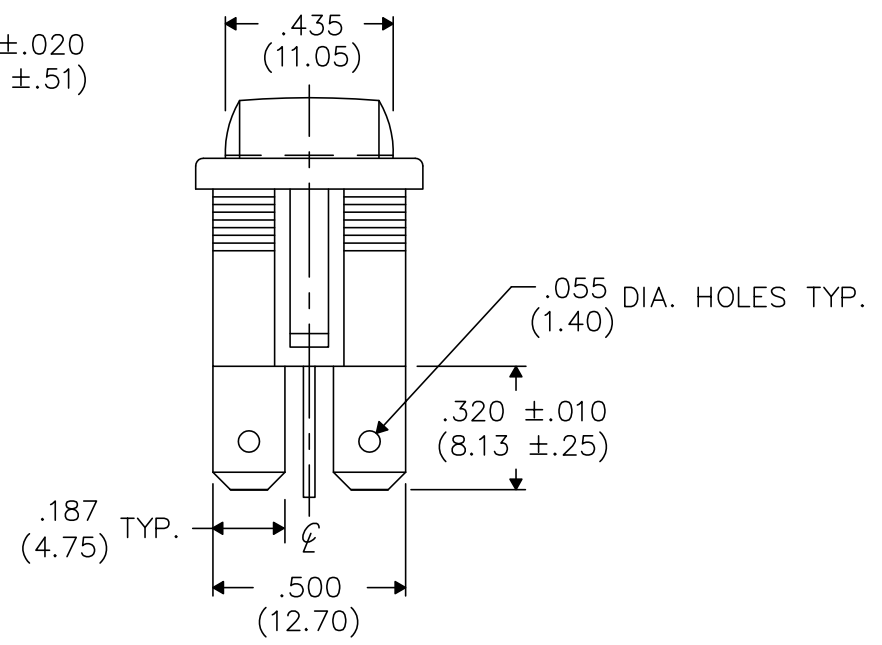
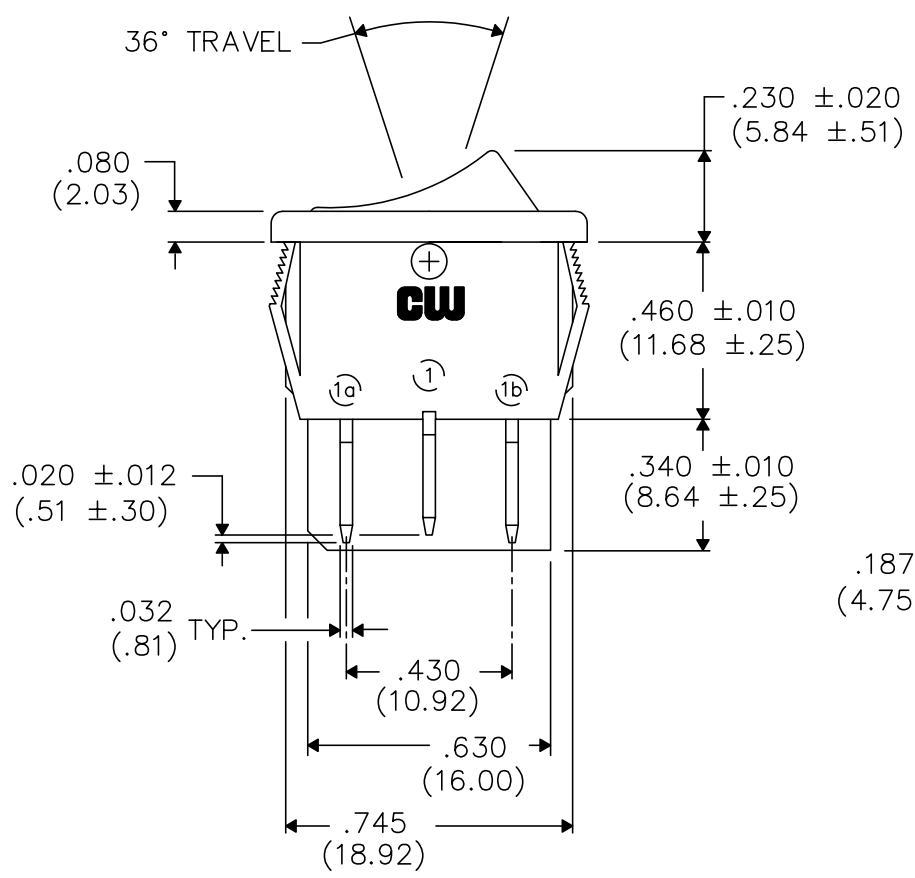
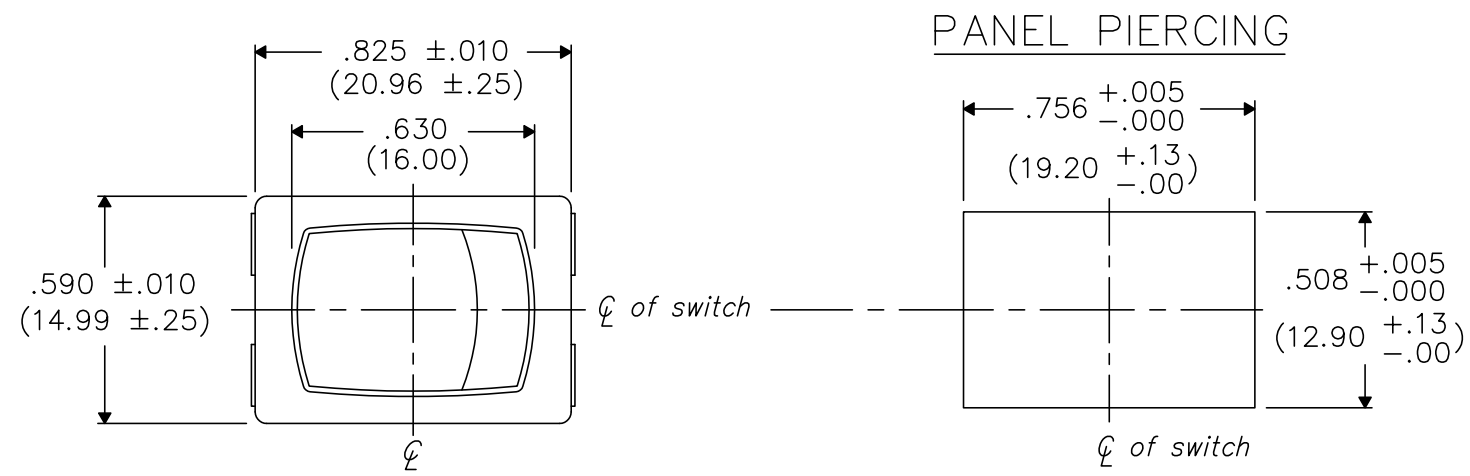


DIMENSIONS IN INCHES (MILLIMETERS)
DO NOT SCALE DRAWING

Dwg. No.
GRS-4022-1600

E
D
C
B
A



1 2 3 4 5 6 7 8 9 10

FORM-B4
REVISIONS
O
RELEASED.
DGW 7-19-2001
7-30-2001

CW INDUSTRIES
Southampton, Pa. 18966

Title: **ROCKER SWIDGET ASSEMBLY (POP IN) D.P.- D.T.**

TOLERANCES UNLESS OTHERWISE SPECIFIED
2 Place Decimal ±.010 METRIC
3 Place Decimal ±.005 1 Place Dec. ±.25mm
Angles ±1° 2 Place Dec. ±.13mm

Made for: CW IND.
Drawn by: DGW 7-19-2001
Checked by: GG 7-24-01
Approval: BF 7-27-01

Division: SWITCH
Dwg. No. GRS-4022-1600

PDF File Made