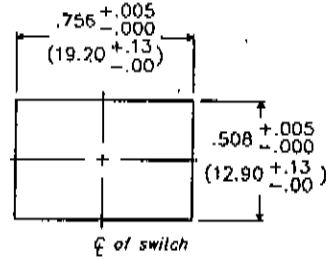
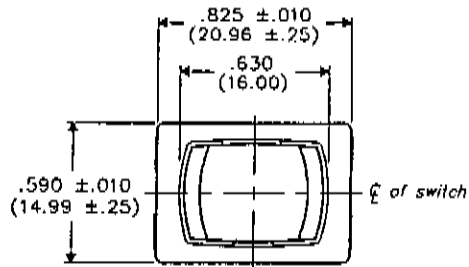
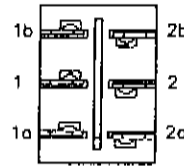


DIMENSIONS IN INCHES (MILLIMETERS)
DO NOT SCALE DRAWING

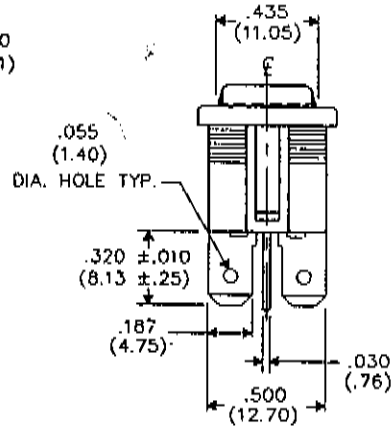
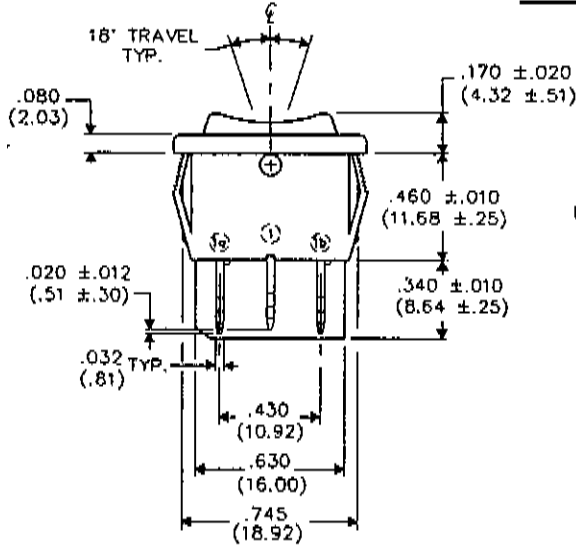
Dwg. No.
GRS-4023A-1300



PANEL PIERCING



BOTTOM VIEW



FORM-B

REVISIONS	0	1
RELEASED	9-15-94	SEP 16 1994
REMOVED EUREKA	F/N-138348-21.	98W 11-01-95
	B.F. # 2093 03 1885	

CW INDUSTRIES
Southampton, Pa 18966

Title: ASSEMBLY
ROCKER SWIDGET
D.P. - CENTER OFF
(ON - OFF - ON)

TOLERANCES UNLESS OTHERWISE SPECIFIED
2 Place decimal ± .010 METRIC
3 Place decimal ± .005 1 Place dec. ± .25mm
Angles ± 1' 2 Place dec. ± .13mm

Part No: SAS0208A
Made for: CW IND.
Drawn by: OGW 9-15-94
Checked by: G. Guld 9-16-94
Approved: [Signature] 9/16/94

Division: SWITCH
Dwg. No.: GRS-4023A-1300

MASTER