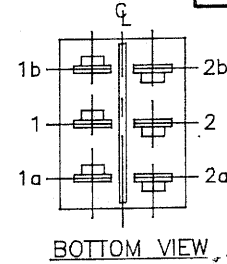
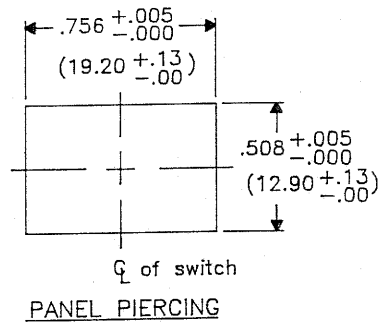
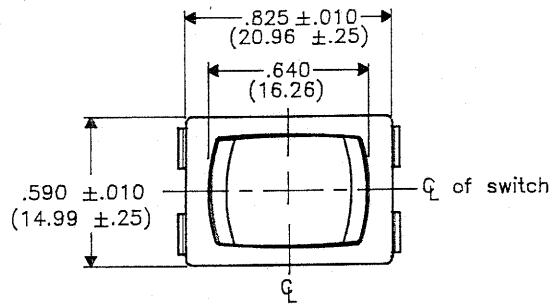
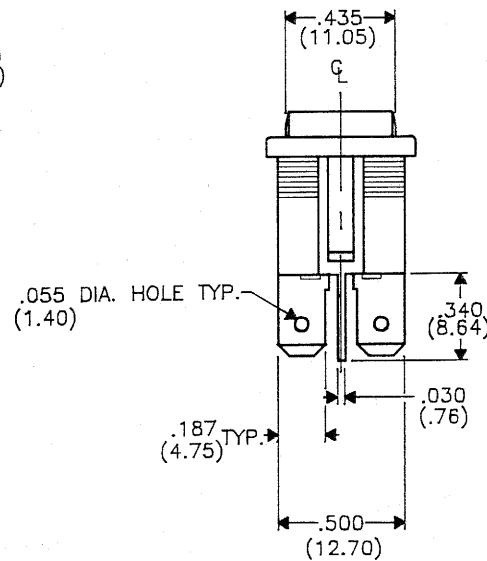
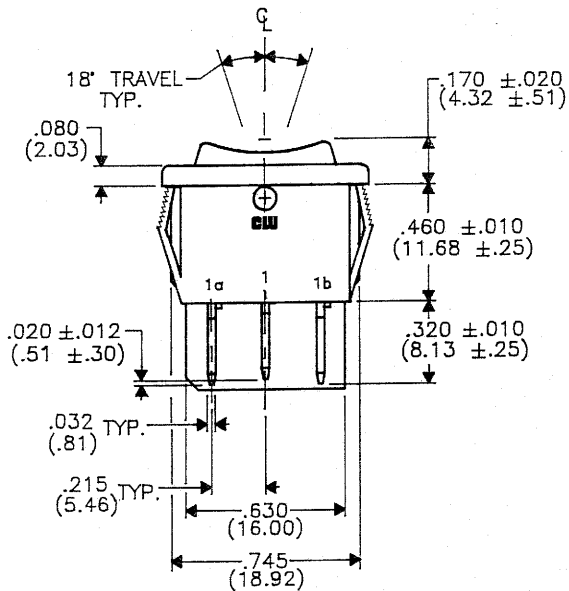


DIMENSIONS IN INCHES (MILLIMETERS)
DO NOT SCALE DRAWING...

Drawing No.
GRS-4023C-1300



BOTTOM VIEW



B-FORM-0
REVISIONS
0
RELEASED
DGW 10-01-93
OCT - 5 1993

CW INDUSTRIES
Southampton, Pa. 18966

TOLERANCES UNLESS OTHERWISE SPECIFIED
2 Place decimal ±.010 METRIC
3 Place decimal ±.005 | 1 Place dec. ±.25 MM
Angles ±1° | 2 Place dec ±.13 MM

PDF File Made
Made for CW IND.
Drawn by DGW 10-01-93
Checked by G. GULB 10-4-93
Approval SKK 10-4-93

Title
**MINI SWITCH
ASSEMBLY
CENTER-OFF
(SNAP-IN)**

Division
SWITCH

Drawing No.
GRS-4023C-1300