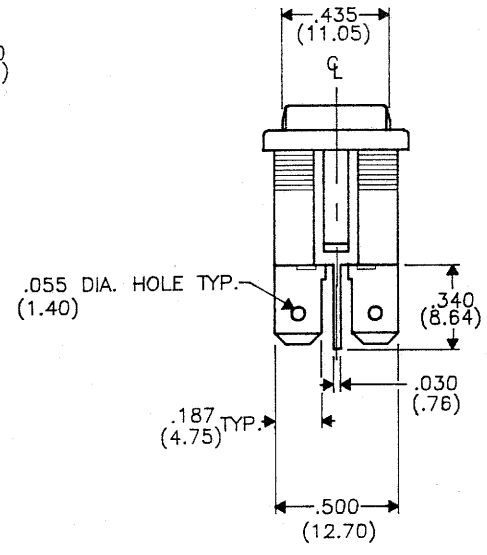
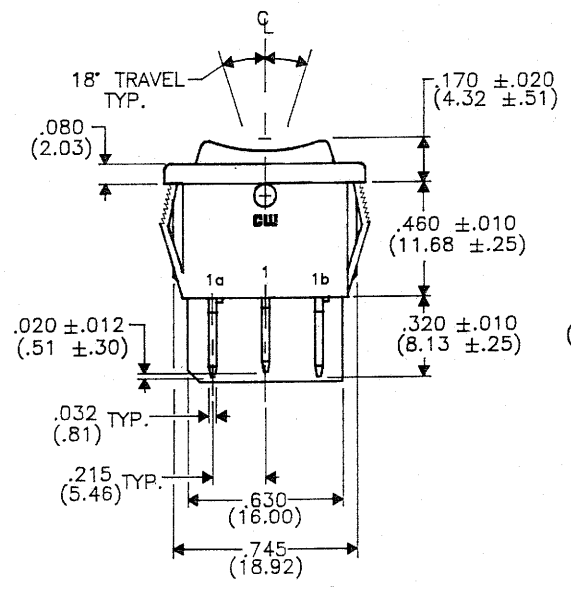
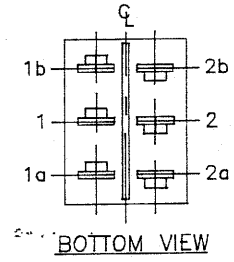
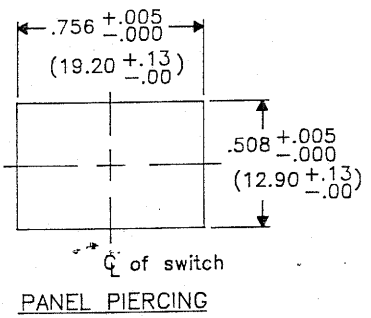
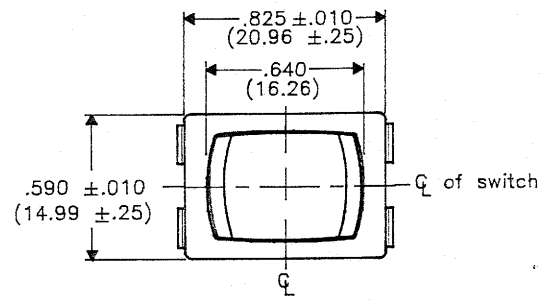


DIMENSIONS IN INCHES (MILLIMETERS)  
DO NOT SCALE DRAWING...

Drawing No.  
**GRS-4023C-0005**



B-FORM-0  
REVISIONS  
0  
RELEASED  
DGW 5-25-94  
MAY 26 1994

**CW INDUSTRIES**  
Southampton, Pa. 18966

TOLERANCES UNLESS OTHERWISE SPECIFIED  
2 Place decimal ±.010 METRIC  
3 Place decimal ±.005 (1 Place dec. ±.25 MM  
Angles .1° 2 Place dec. ±.13 MM

Made for CW IND.  
Drawn by DGW 5-25-94  
Checked by G. GOLD 5-26-94  
Approval ASK 5-26-93

Title  
**MINI SWITCH  
ASSEMBLY  
CENTER-OFF  
(SNAP - IN)**

Division  
**SWITCH**

Drawing No.  
**GRS-4023C-0005**