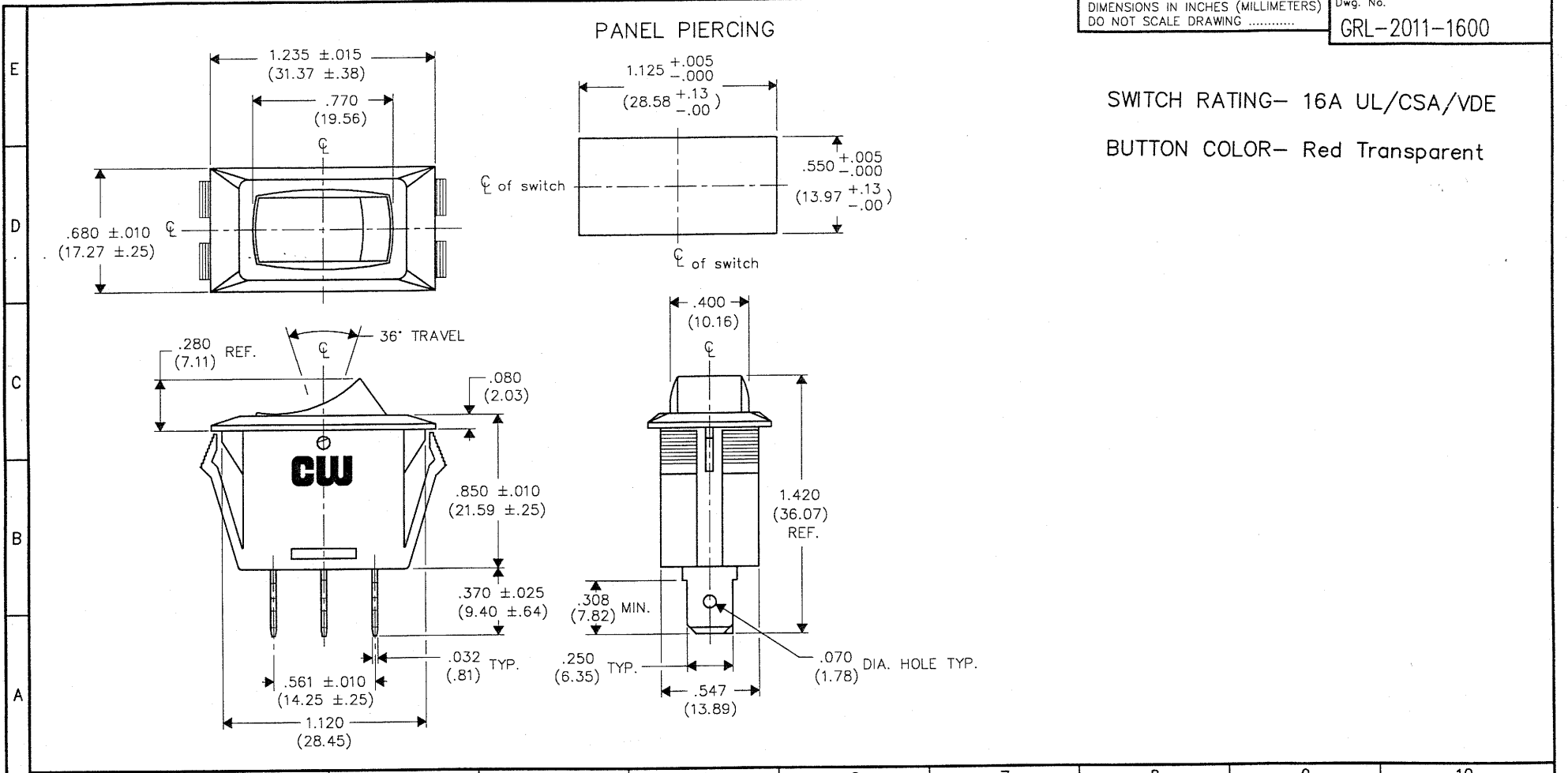
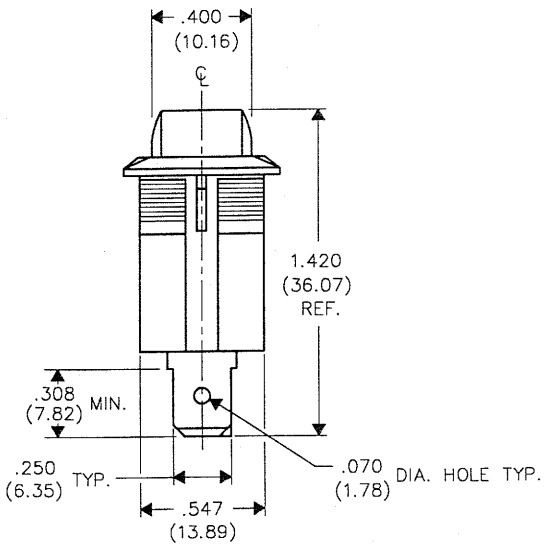
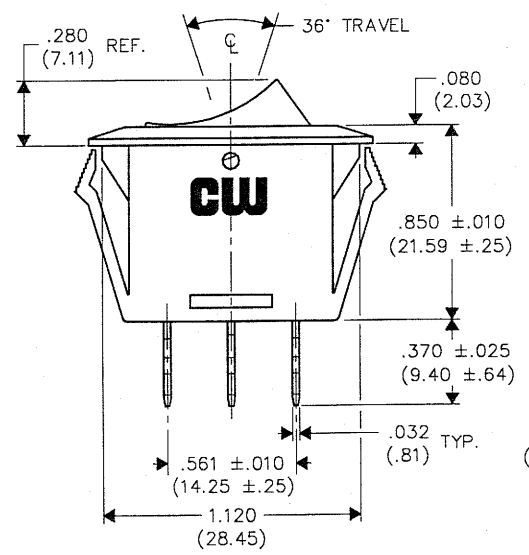
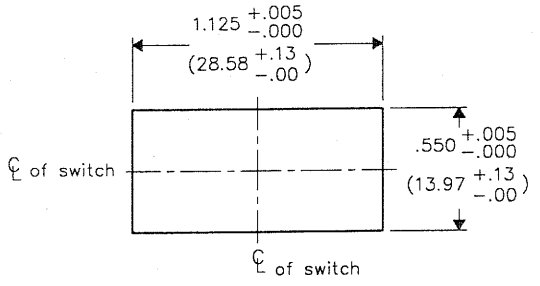
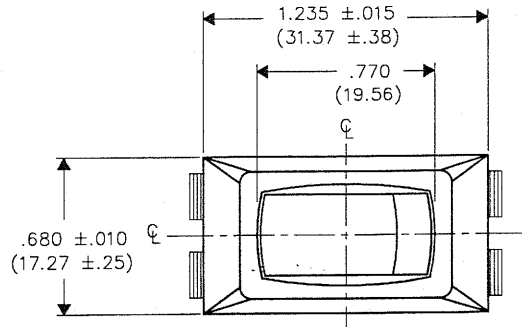


DIMENSIONS IN INCHES (MILLIMETERS)
DO NOT SCALE DRAWING

Dwg. No.
GRL-2011-1600

PANEL PIERCING

SWITCH RATING- 16A UL/CSA/VDE
BUTTON COLOR- Red Transparent



FORM-B3	REVISIONS	0
	RELEASED	1
	DGW	JAN 17 1997
	ADDED SWITCH RATING & BUTTON COLOR	1
	DGW	JUN 2 2006
	GG	

1	2	3	4	5	6	7	8	9	10
---	---	---	---	---	---	---	---	---	----

CW INDUSTRIES Southampton, Pa. 18966		Title: ROCKER SWITCH ASSEMBLY (SNAP IN) S.P.-S.T. LAMP STYLE	
TOLERANCES UNLESS OTHERWISE SPECIFIED		Division: SWITCH	
2 Place Decimal ±.010	METRIC	Dwg. No. GRL-2011-1600	
3 Place Decimal ±.005	1 Place Dec. ±.25mm	Checked by: <i>G. Gold 1-15-97</i>	
Angles ±1'	2 Place Dec. ±.13mm	Approval: <i>B. Planson 1-15-97</i>	
Made for: CW IND.		Dwg. No. GRL-2011-1600	
Drawn by: DGW 1-09-97		Checked by: <i>G. Gold 1-15-97</i>	
Approval: <i>B. Planson 1-15-97</i>		Dwg. No. GRL-2011-1600	