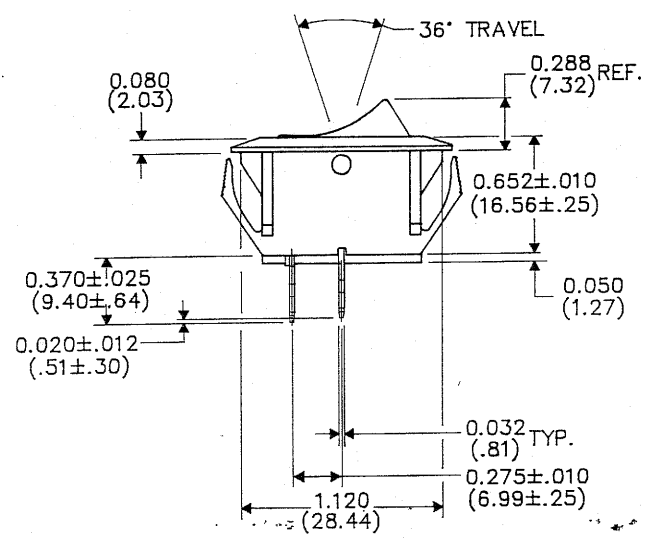
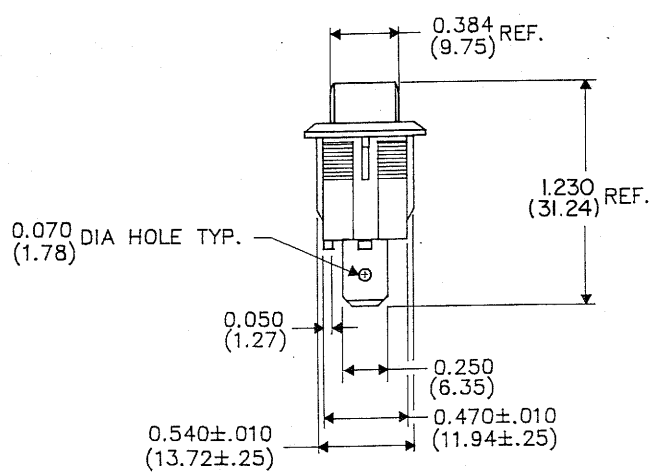
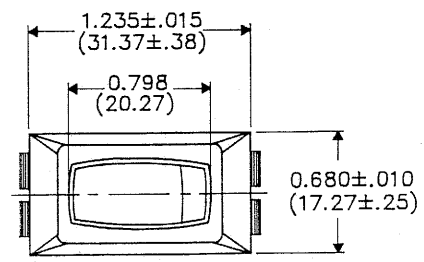
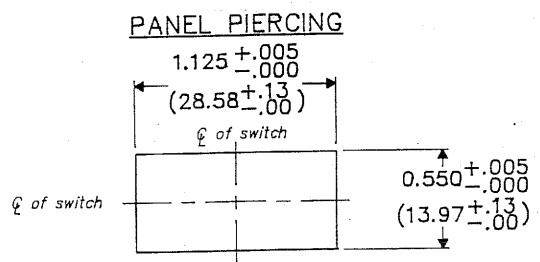


DIMENSIONS IN INCHES (MILLIMETERS)
DO NOT SCALE DRAWING...

Drawing No. **GRS-2011-2000**



B - FORM - 0
REVISIONS
RELEASED MAM 4-13-89

CW INDUSTRIES
Southampton, Pa. 18966

TOLERANCES UNLESS OTHERWISE SPECIFIED
2 Place decimal ±.010 METRIC
3 Place decimal ±.005 1 Place dec. ±.25 MM
Angles ±1° 2 Place dec. ±.13 MM

Made for: CW
Drawn by: MAM 4-14-89
Checked by: *[Signature]*
Approval: *[Signature]* 2-6-90

Title **ASSEMBLY DRAWING
S.P.S.T. ROCKER SWITCH
NON-POLARIZED
1.125 x .550 PANEL**

Division **SWITCH**

Drawing No. **GRS-2011-2000**