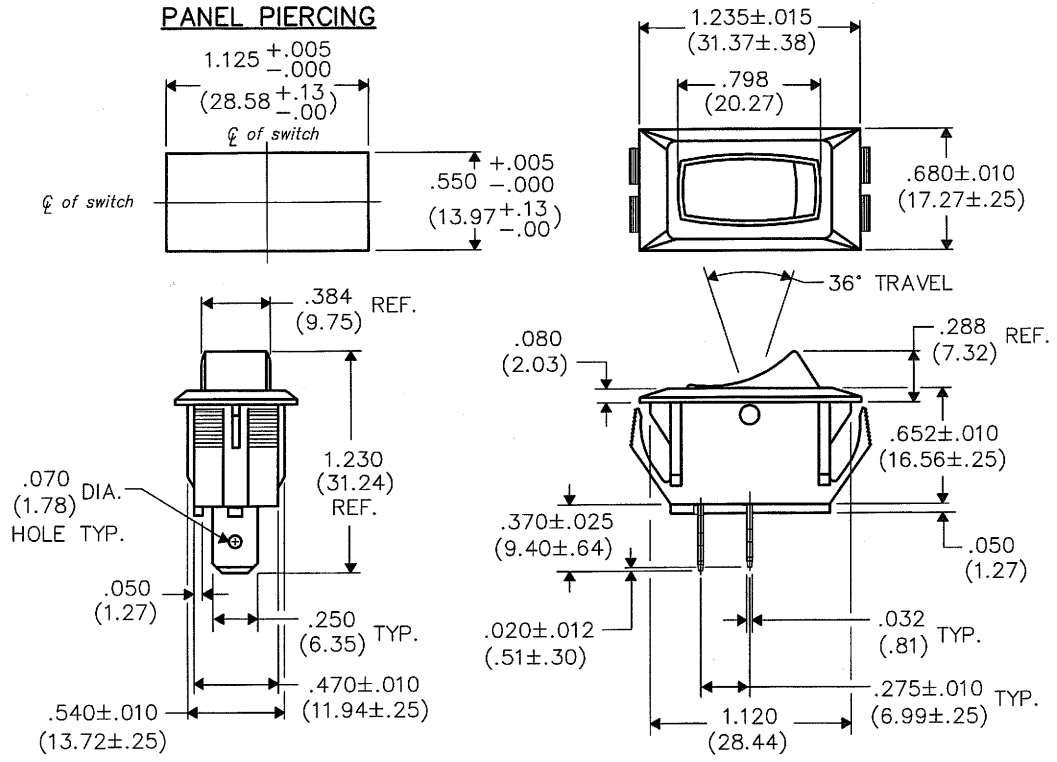


PANEL PIERCING



B-FORMAT 2002	REVISIONS	0								
		RELEASED: DGW 8-14-2008 AUG 15 2008								

PDF FILE MADE	CW INDUSTRIES Southampton, Pa. 18966		Title:	ROCKER SWITCH S.P.S.T. NO POLAR.,NO BARR.
	TOLERANCES UNLESS OTHERWISE SPECIFIED		Division:	SWITCH
	2 Place Decimal $\pm .010$	METRIC	Drawn by:	DGW 8-14-2008
	3 Place Decimal $\pm .005$	1 Place Dec. $\pm .25$ mm	Checked by:	G. Guld 8-15-08
Angles $\pm 1^\circ$	2 Place Dec. $\pm .13$ mm	Approval:	G. Guld 8-15-08	Dwg. No. GRS-2011-2019

MASTER