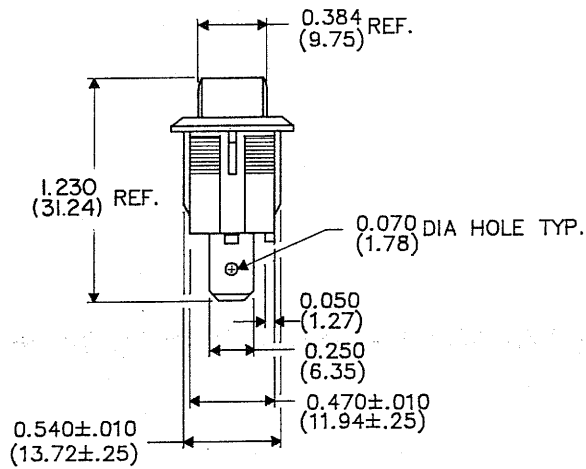
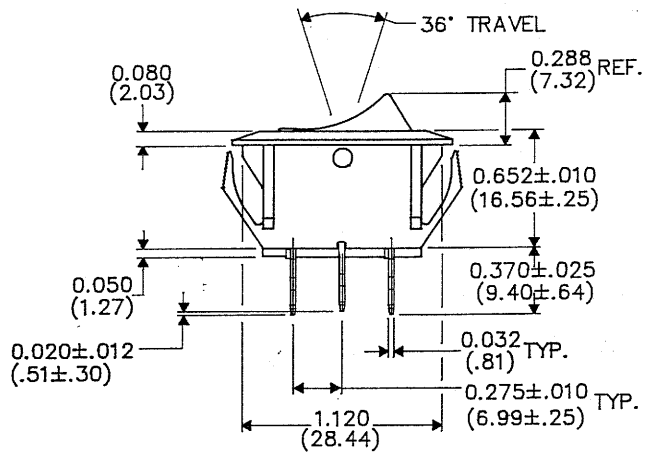
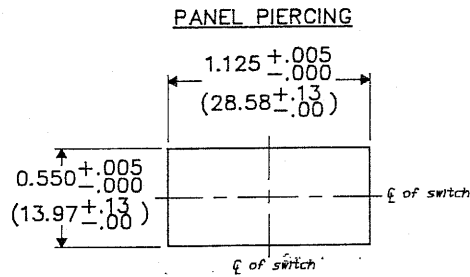
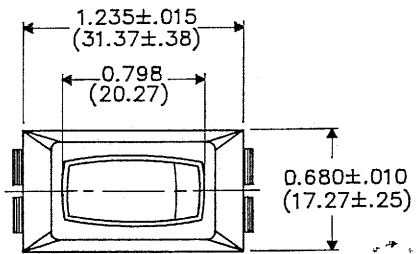


DIMENSIONS IN INCHES (MILLIMETERS)  
DO NOT SCALE DRAWING...

Drawing No. GRS-2012-2000



B-FORM-0  
REVISIONS  
0  
RELEASED MAY 13-89  
MAM 2-6-89

PDF File Made	<b>CW INDUSTRIES</b> Southampton, Pa. 18966	Title <b>ASSEMBLY DRAWING S.P.D.T. ROCKER SWITCH NON-POLARIZED 1.125 x .550 PANEL</b>
	TOLERANCES UNLESS OTHERWISE SPECIFIED 2 Place decimal ±.010 METRIC 3 Place decimal ±.005 1 Place dec. ±.25 MM Angles . . . . . ± 1° 2 Place dec. ±.13 MM	Division <b>SWITCH</b>
Made for: CW	Drawn by: MAM 4-14-89	Drawing No. GRS-2012-2000
Checked by: <i>AKL</i> 4-26-89	Approval: <i>AKL</i> 2-6-89	

**MASTER**