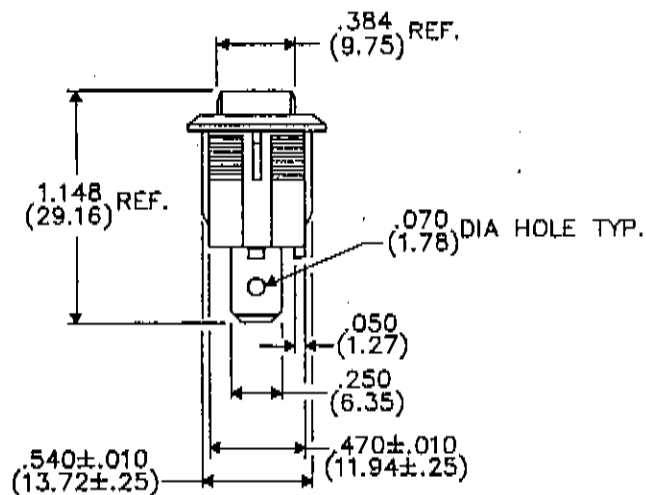
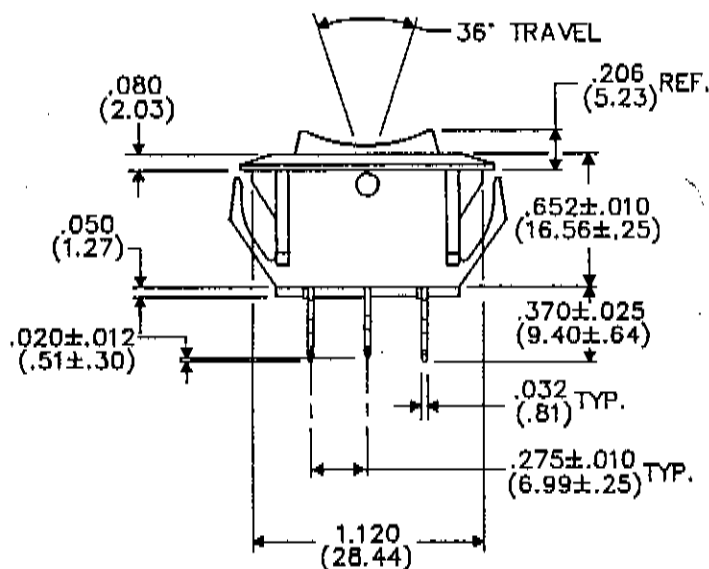


DIMENSIONS IN INCHES (MILLIMETERS)  
DO NOT SCALE DRAWING

Drawing No.  
**GRS-2013A-2000**



B-FORM-9

REVISIONS

RELEASED  
MAM 3-15-90  
MAR 19 1990

**CW INDUSTRIES**  
Southampton, Pa. 18966

Title **ASSEMBLY DRAWING**  
**CENTER OFF**  
S.P.D.T. ROCKER SWITCH  
NON-POLARIZED  
1.125 x .550 PANEL

TOLERANCES UNLESS OTHERWISE SPECIFIED  
2 Place decimal ±.010 METRIC  
3 Place decimal ±.005 2 Place dec. ±.25 MM  
Angles .1° 2 Place dec. ±.13 MM

Made for: CW Ind.  
Drawn by: MAM 3-15-90  
Checked by: *[Signature]* 3-16-90  
Approval:

Division **SWITCH**  
Drawing No.  
**GRS-2013A-2000**

**MASTER**