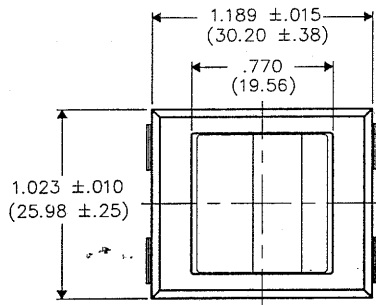


DIMENSIONS IN INCHES (MILLIMETERS)
DO NOT SCALE DRAWING

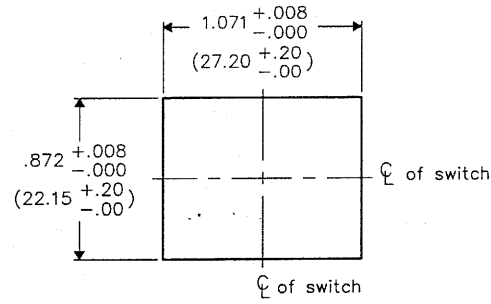
Dwg. No.

GR-2022-1600

E
D
C
B
A

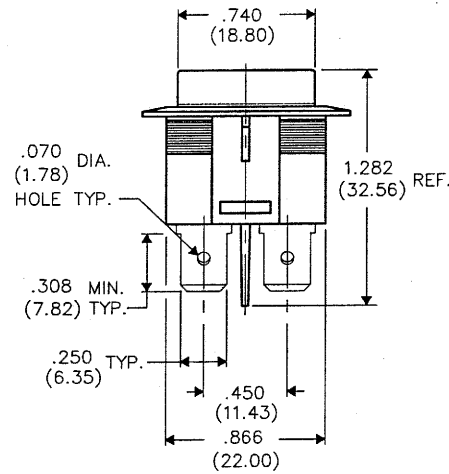
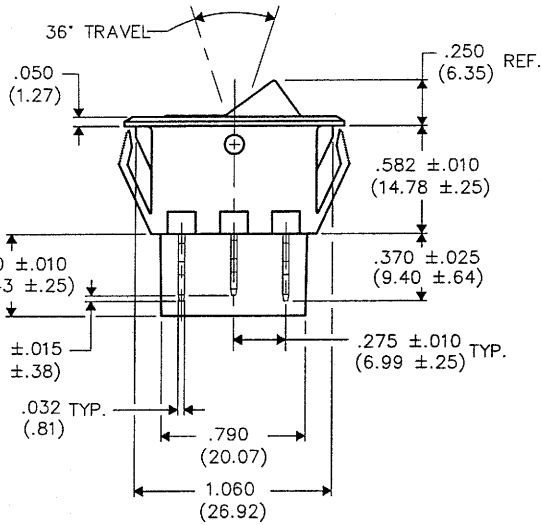


PANEL PIERCING



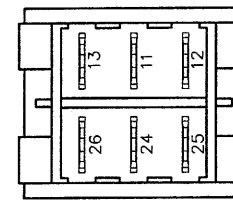
NOTES:

- 1.) With rocker in position shown, Circuits are completed between terminals 11 and 12 on pole 1, and terminal 24 and 25 on pole 2.



BOTTOM VIEW

SEE NOTE 1



1 2 3 4 5 6 7 8 9 10

FORM-B4	REVISIONS	0								
		1								

PDF FILE MADE	CW INDUSTRIES		Title: POP-IN ROCKER SWITCH D.P.- D.T.	
	Southampton, Pa. 18966			
	TOLERANCES UNLESS OTHERWISE SPECIFIED			
	2 Place Decimal ±.010	METRIC		
3 Place Decimal ±.005	1 Place Dec. ±.25mm	2 Place Dec. ±.13mm		
Angles ±1°				
Made for:	CW IND.		Division: SWITCH	
Drawn by:	DGW 10-26-2006		Dwg. No. GR-2022-1600	
Checked by:	GGuld 10-26-06			
Approval:	B. Flynn 10-30-06			