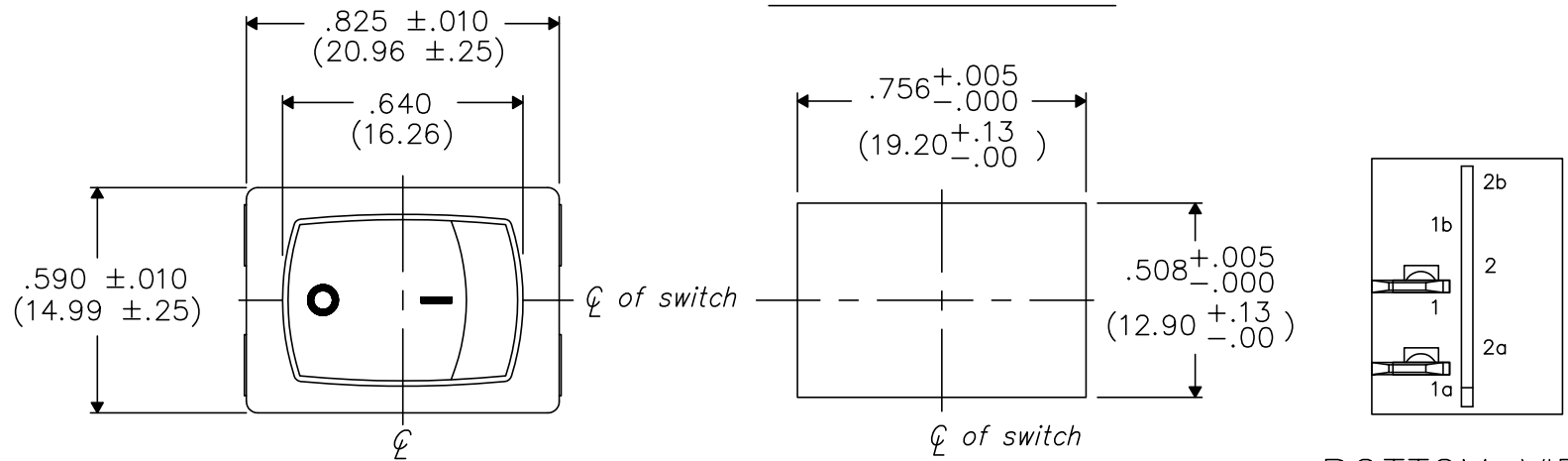


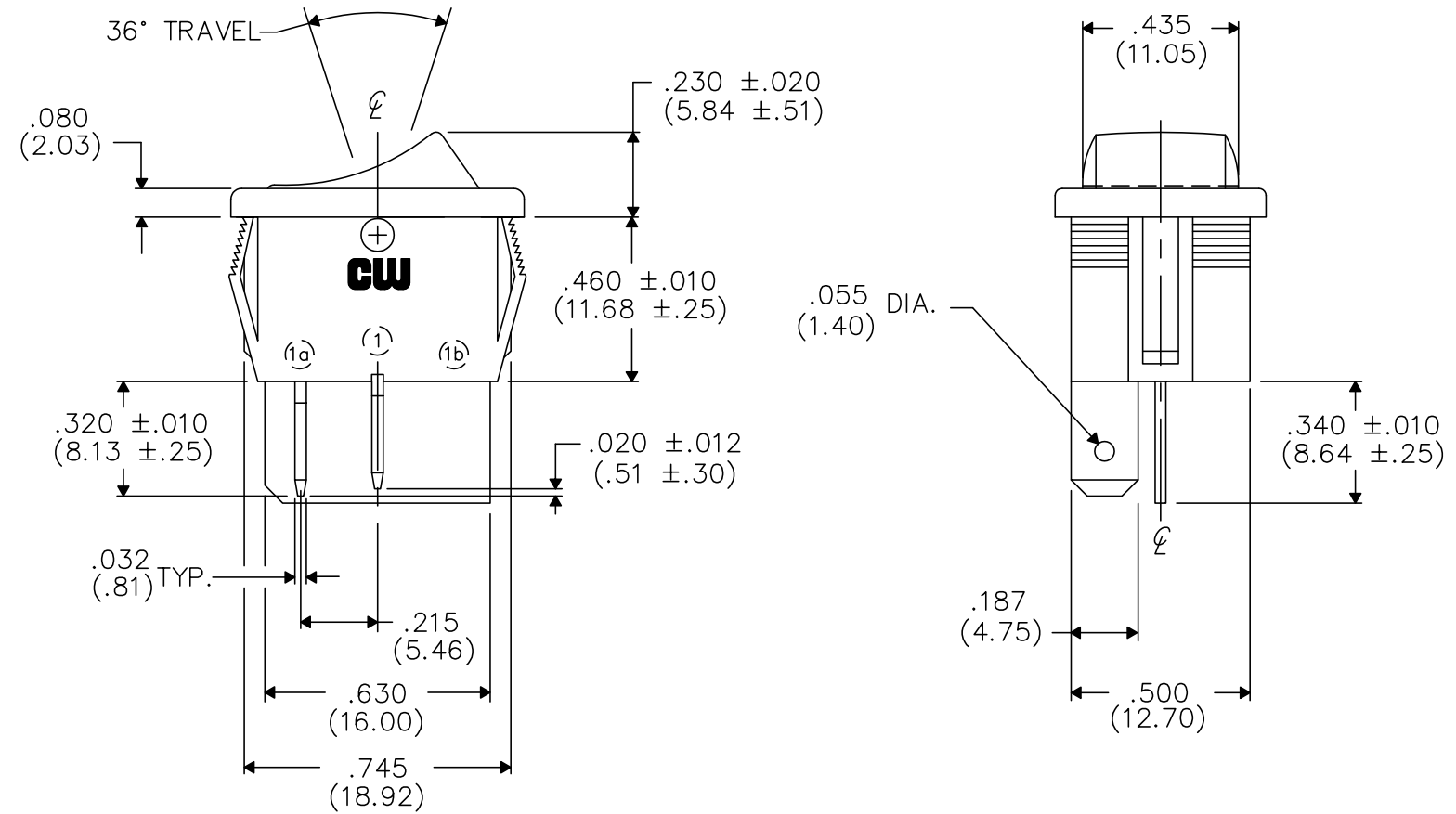
DIMENSIONS IN INCHES (MILLIMETERS)
DO NOT SCALE DRAWING

Dwg. No.
GRS-4011-0076

PANEL PIERCING



BOTTOM VIEW






MATERIAL:
ROCKER KNOB- Nylon 94V-2
HOUSING- Nylon 94V-2
TERMINAL/STATIONARY/MOVING CONTACT- Copper alloy,
and/or copper alloy silver plated.
SPRING- music wire
PLUNGER- plated steel

PERFORMANCE STANDARDS-
Endurance- 100,000 cycles, no load, minimum
25,000 cycles at rated load minimum up to 16A
125 VAC
10,000 cycles at rated load minimum at 16A
250 VAC
Contact Resistance- less than .01 Ohm at 10 mA (initial)
Operating Temperature- 105° C maximum
High Voltage Dielectric Withstanding Voltage- 2,500 V,
60 Hz for 1 minute between mounting
surface and circuit connections

HUMIDITY- Insulation resistance > 10³ MOhms after 100 hours
at 95% R.H. and 50° C followed by 1 hour dry
at ambient room conditions

ELECTRICAL RATING-
16A 125-250VAC , 10A 14V (T)
3/4 H.P. 125-250VAC , 3A 125V (L)
10(4) 250 ~ μ

LISTING AGENCIES-  ,  , 

FORM-B4	REVISIONS	0	1
RELEASED.	DGW 8-01-94		
RBK 8-05-94			
REDRAWN.	ADDED ALL SPEC. NOTES.		
DGW 6-13-2002			
GG 6-14-2002			

PDF File made	CW INDUSTRIES Southampton, Pa. 18966		Title: ASSEMBLY ROCKER SWIDGET S.P.- S.T.
	TOLERANCES UNLESS OTHERWISE SPECIFIED		
	2 Place Decimal ±.010	METRIC	Division: SWITCH
	3 Place Decimal ±.005	1 Place Dec. ±.25mm 2 Place Dec. ±.13mm	
Made for:	CW IND.	Dwg. No. GRS-4011-0076	
Drawn by:	DGW 8-01-94		
Checked by:	GG 8-03-94		
Approval:	RBK 8-04-94		