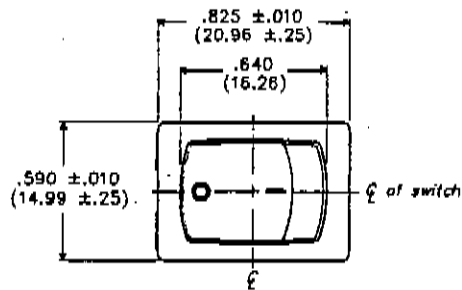
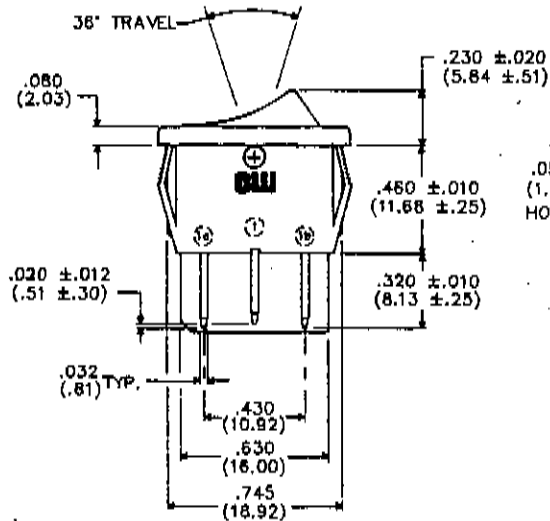
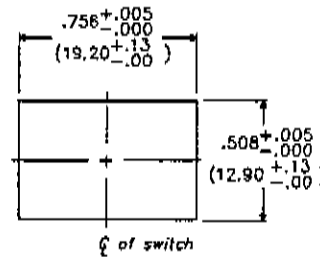


DIMENSIONS IN INCHES (MILLIMETERS)  
DO NOT SCALE DRAWING

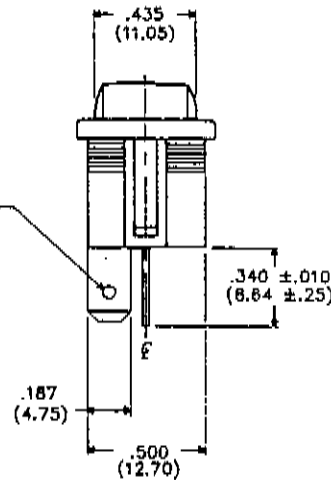
Drawing No  
GRS-4012-0047



PANEL PIERCING



.055 DIA.  
HOLE TYP.



B-FORM-8

REVISIONS

0  
RELEASED  
DGW 8-01-94  
5 1994

**CW INDUSTRIES**  
Southampton, Pa. 18966

Title  
ROCKER SWITCH  
ASSEMBLY  
(POP-IN)  
S.P.-D.T.

TOLERANCES UNLESS OTHERWISE SPECIFIED  
2 Place decimal .010 MFRIC  
3 Place decimal .005 1 Place dec + .25 MM  
Angles 1° 12 Place dec + .13 MM

Made for: CW IND.  
Drawn by: DGW 8-01-94

Division  
SWITCH

Checked by: G. GILL 8-3-94

Drawing No  
GRS-4012-0047

Approval: RST 8-4-94

CONTINENTAL RUBBER 107511

MASTER MASTER