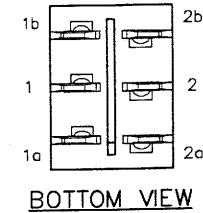
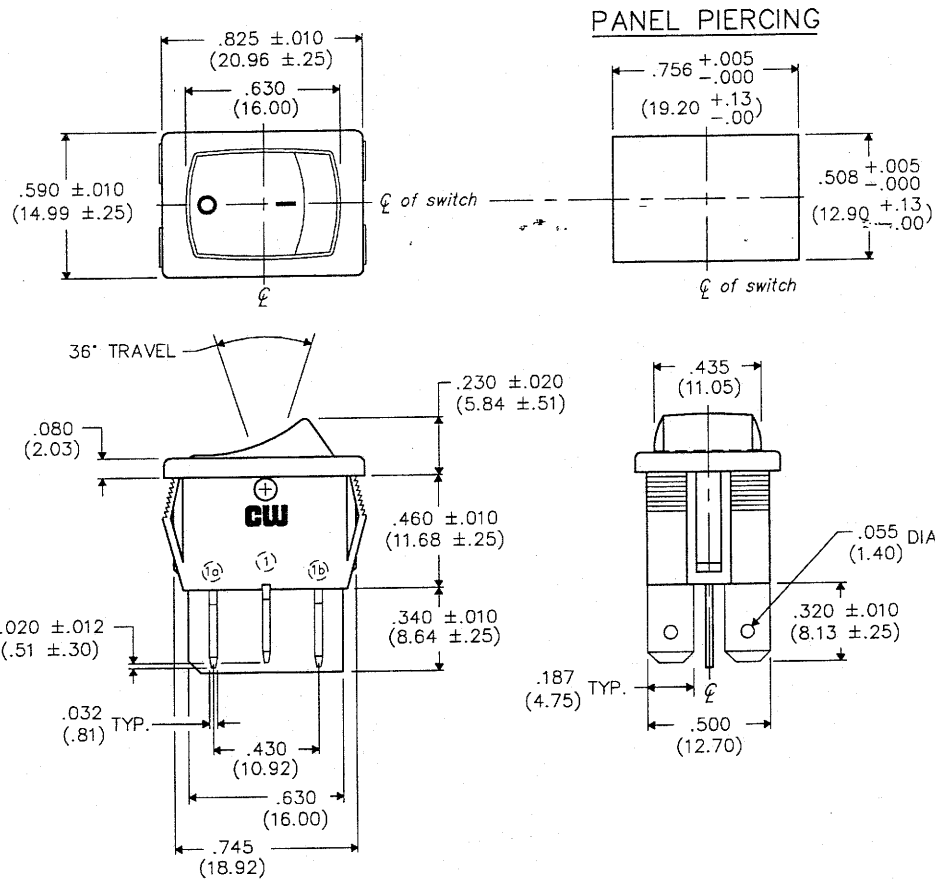


DIMENSIONS IN INCHES (MILLIMETERS)
DO NOT SCALE DRAWING

Dwg. No.
GRS-4022-0013



FORM-B (REV.)

REVISIONS

0
 RELEASED
 DGW 8-05-94
 AUG 18 1994

CW INDUSTRIES
 Southampton, Pa. 18966

Title: **ROCKER SWITCH
 ASSEMBLY
 (POP IN)
 D.P. - D.T.**

TOLERANCES UNLESS OTHERWISE SPECIFIED

2 Place decimal $\pm .010$ METRIC
 3 Place decimal $\pm .005$ 1 Place dec. $\pm .25$ mm
 Angles $\pm 1^\circ$ 2 Place dec. $\pm .13$ mm

Made for: CW IND.
 Drawn by: DGW 8-05-94

Division: **SWITCH**

Checked by: *G. Gold 8-10-94*
 Approved: *DBK 8-10-94*

Dwg. No.
GRS-4022-0013