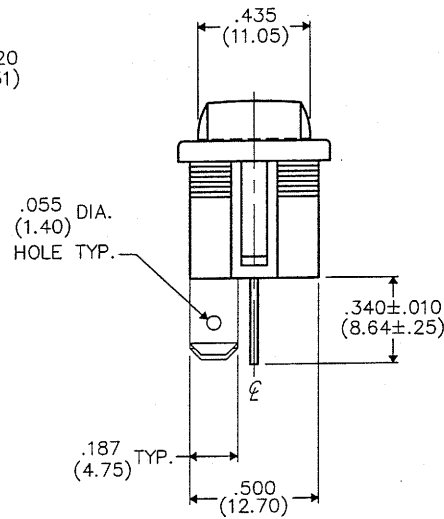
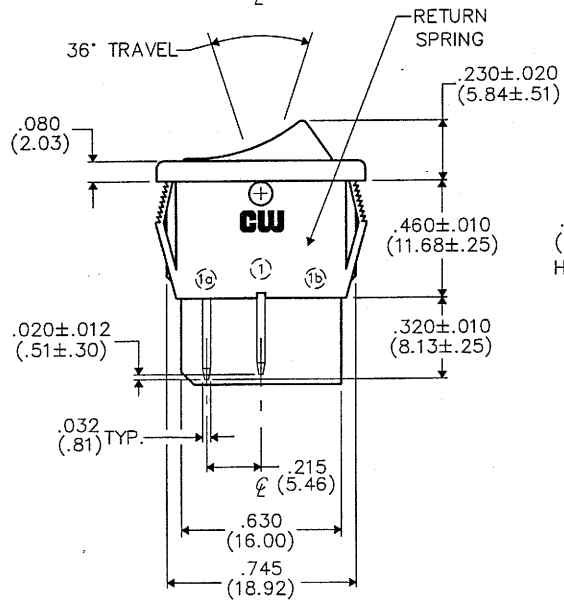
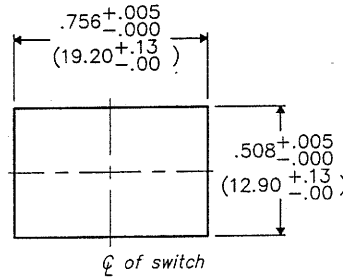
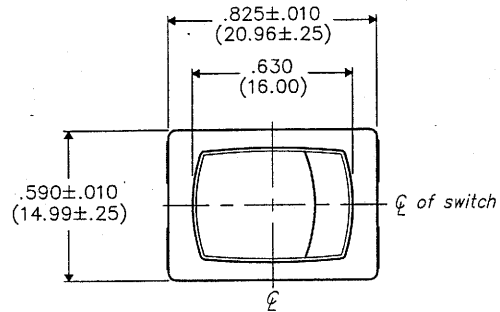


DIMENSIONS IN INCHES (MILLIMETERS)
DO NOT SCALE DRAWING

Dwg. No.
GRS-4011B-1300

PANEL PIERCING



E										
D										
C										
B										
A										
	1	2	3	4	5	6	7	8	9	10

FORM-B4	REVISIONS 0 RELEASED: 1-22-2002 DGW JAN 23 2002							Title: ROCKER SWIDGET ASSEMBLY (POP-IN) S.P.- S.T./NO		
								TOLERANCES UNLESS OTHERWISE SPECIFIED 2 Place Decimal ±.010 METRIC 3 Place Decimal ±.005 1 Place Dec. ±.25mm Angles ±1' 2 Place Dec. ±.13mm		
								Made for: CW IND.		Division: SWITCH
								Drawn by: DGW 1-22-2002		Dwg. No. GRS-4011B-1300
								Checked by: G.Gyld 1-23-02		Approval: B.G. Jensen 1-23-02

MASTER