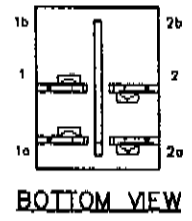
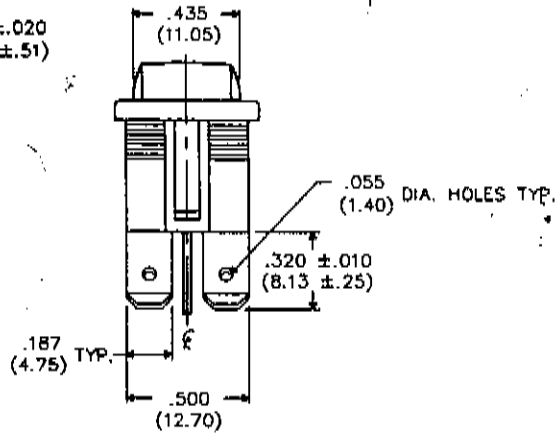
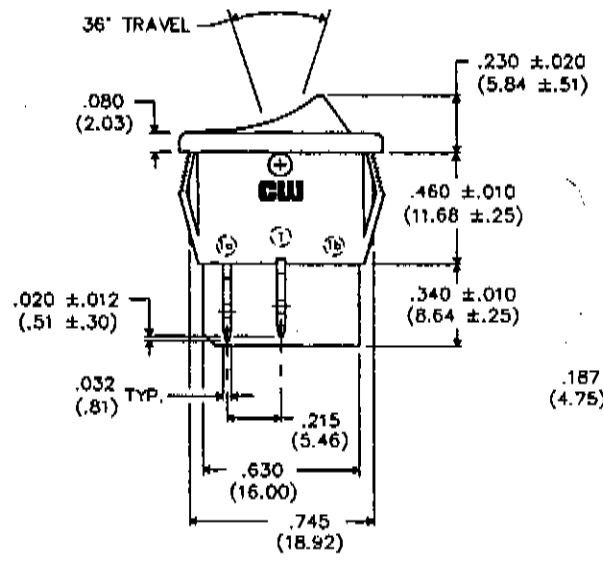
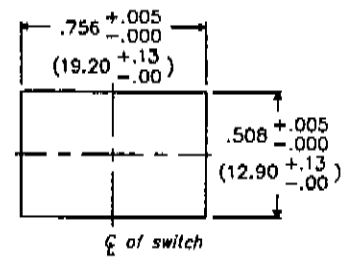
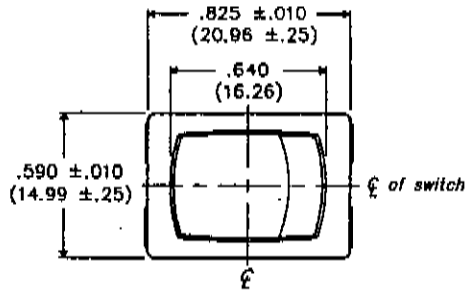


DIMENSIONS IN INCHES (MILLIMETERS)  
DO NOT SCALE DRAWING

Dwg. No. GRS-4021B-0000

PANEL PIERCING



BOTTOM VIEW

FORM-B  
REVISIONS  
0  
RELEASED  
BY: 8-04-84  
BY: JGK  
DATE: AUG 18 1984

**CW INDUSTRIES**  
Southampton, Pa. 18966

**TOLERANCES UNLESS OTHERWISE SPECIFIED**

2 Place decimal ±.010	METRIC
3 Place decimal ±.005	1 Place dec. ±.20mm
Angles ..... ± 1°	2 Place dec. ±.13mm

Made for: CW IND.  
Drawn by: DGW 8-04-84  
Checked by: G. Guld 8-8-84  
Approved: J. J. F. C. W.

Title: **ROCKER SWITCH ASSEMBLY (POP IN) D.P. - ST.**

Division: **SWITCH**

Dwg. No. **GRS-4021B-0000**

MASTER MASTER