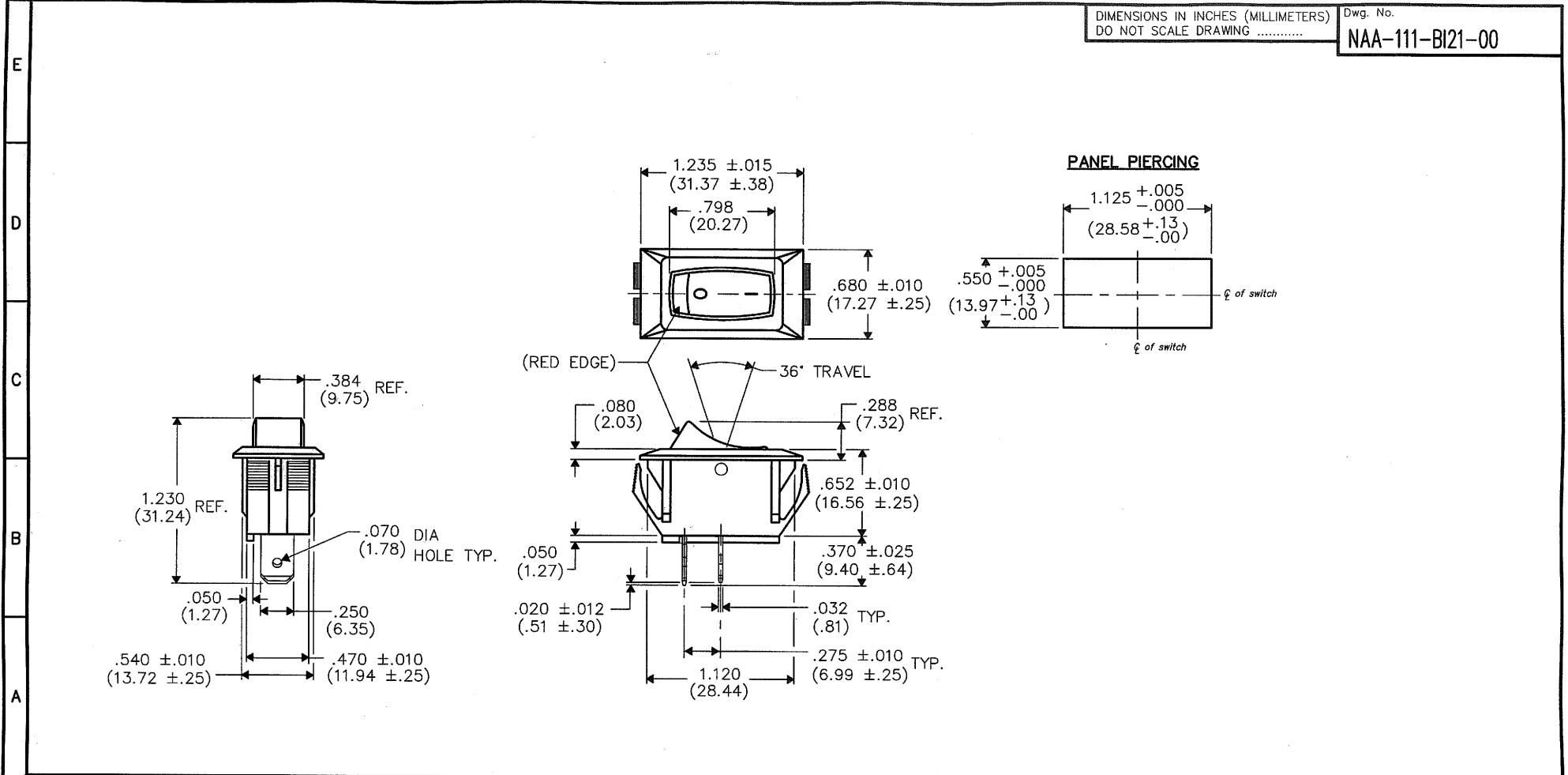


DIMENSIONS IN INCHES (MILLIMETERS)
DO NOT SCALE DRAWING

Dwg. No.
NAA-111-BI21-00



1 2 3 4 5 6 7 8 9 10

FORM-B4	REVISIONS	0	RELEASED 8-13-2008 DGW AUG 15 2008	CW INDUSTRIES Southampton, Pa. 18966 TOLERANCES UNLESS OTHERWISE SPECIFIED: 2 Place Decimal ±.010 METRIC 3 Place Decimal ±.005 1 Place Dec. ±.25mm Angles ±1° 2 Place Dec. ±.13mm	Title: INDICON UNIBODY SWITCH ASSEMBLY 1.125" x .550" PANEL	
		Made for: CW IND.				Division: SWITCH
		Drawn by: DGW 8-13-2008				Dwg. No.
		Checked by: <i>G. Gold 8-14-08</i> Approval: <i>G. Gold 8-14-08</i>				NAA-111-BI21-00

MASTER