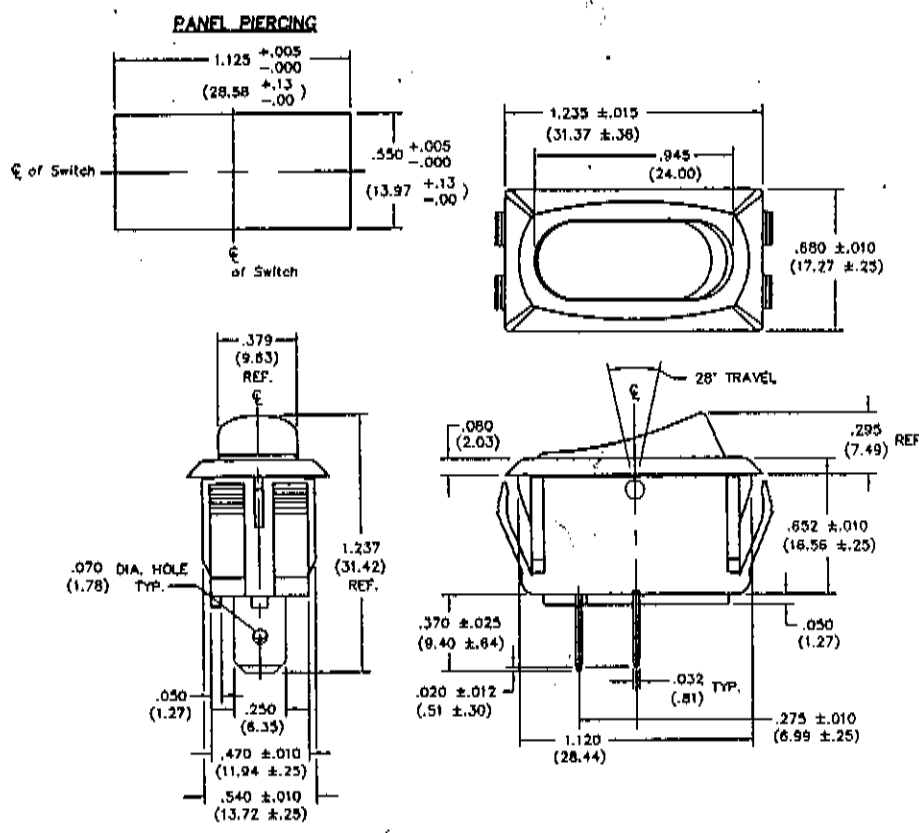


DIMENSIONS IN INCHES (MILLIMETERS)
DO NOT SCALE DRAWING

Dwg. No.
GRS-2011-2500 THRU 2502



PART NUMBER	COLOR
-2500	BLACK-000
-2501	WHITE-913
-2502	BISQUE-131

E
D
C
B
A

1 2 3 4 5 6 7 8 9 10

SIZE-B4
REVISIONS
0
RELEASED:
DGW 9-27-2001
DWG 3-21-01

CW INDUSTRIES
Southampton, Pa. 18966

TOLERANCES UNLESS OTHERWISE SPECIFIED

2 Place Decimal $\pm .010$	METRIC
3 Place Decimal $\pm .005$	1 Place Dec. $\pm .25mm$
Angles $\pm 1'$	2 Place Dec. $\pm .13mm$

Made for: CW IND.

Drawn by: DGW 9-27-2001

Checked by: G. Guld 9-28-01

Approved: [Signature]

Title: ROCKER SWITCH
SP/ST ASSEMBLY
EURO STYLE, POLARIZED
1.125" x .550" PANEL

Division: DIVISION

Dwg. No. GRS-2011-2500 THRU 2502

MASTER